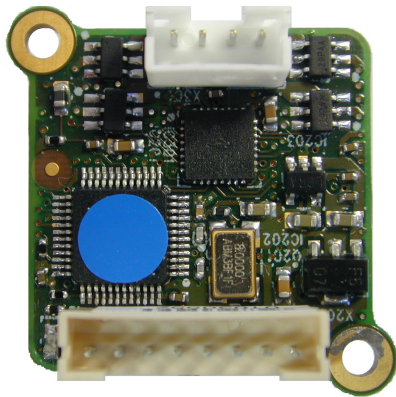


# TMCM-1021 TMCL™ Firmware Manual

Firmware Version V1.42 | Document Revision V1.10 • 2018-JAN-09

The TMCM-1021 is a single axis controller/driver module for 2-phase bipolar stepper motors. The TMCM-1021 TMCL firmware allows to control the module using TMCL™ commands, supporting standalone operation as well as direct mode control, making use of the Trinamic TMC262 motor driver. Dynamic current control, and quiet, smooth and efficient operation are combined with stallGuard™ and coolStep™ features.



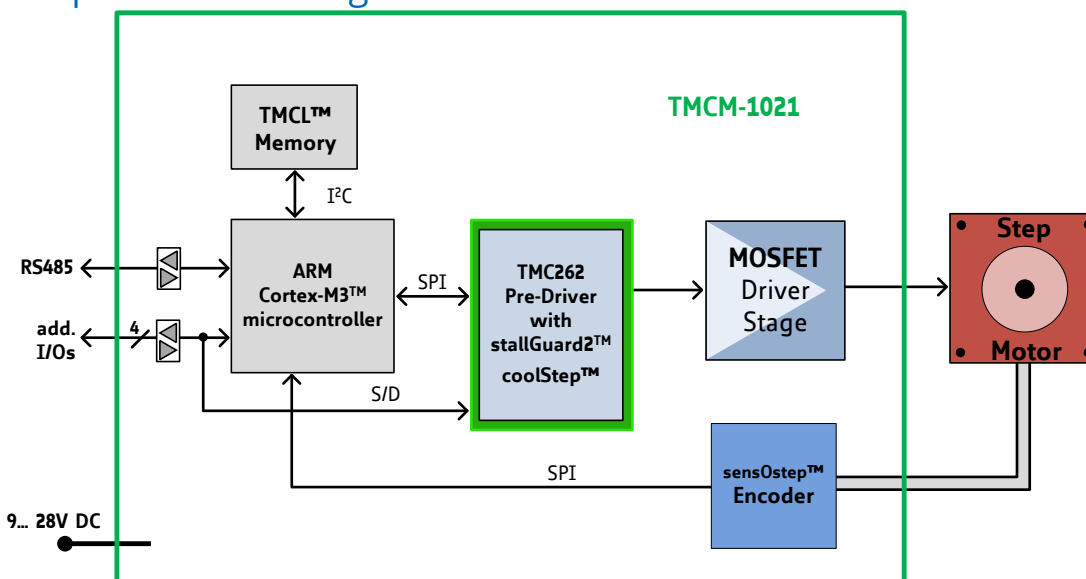
## Features

- Single Axis Stepper motor control
- Supply voltage 24V DC
- TMCL™
- RS485 interface
- Step/Direction input
- Additional inputs and outputs
- coolStep™
- stallGuard2™
- sensOstep™ encoder

## Applications

- Laboratory Automation
- Manufacturing
- Semiconductor Handling
- Robotics
- Factory Automation
- Test & Measurement
- Life Science
- Biotechnology
- Liquid Handling

## Simplified Block Diagram



©2018 TRINAMIC Motion Control GmbH & Co. KG, Hamburg, Germany  
 Terms of delivery and rights to technical change reserved.  
 Download newest version at: [www.trinamic.com](http://www.trinamic.com)



Read entire documentation.

## Contents

<b>1</b>	<b>Features</b>	<b>5</b>
1.1	stallGuard2	6
1.2	coolStep	6
<b>2</b>	<b>First Steps with TMCL</b>	<b>7</b>
2.1	Basic Setup	7
2.2	Using the TMCL Direct Mode	7
2.3	Changing Axis Parameters	7
2.4	Testing with a simple TMCL Program	8
<b>3</b>	<b>TMCL and the TMCL-IDE — An Introduction</b>	<b>10</b>
3.1	Binary Command Format	10
3.1.1	Checksum Calculation	11
3.2	Reply Format	12
3.2.1	Status Codes	12
3.3	Standalone Applications	13
3.4	The ASCII Interface	14
3.4.1	Entering and leaving the ASCII Mode	14
3.4.2	Format of the Command Line	14
3.4.3	Format of a Reply	15
3.4.4	Configuring the ASCII Interface	15
3.5	TMCL Command Overview	16
3.5.1	TMCL Commands	16
3.6	TMCL Commands by Subject	17
3.6.1	Motion Commands	17
3.6.2	Parameter Commands	18
3.6.3	Branch Commands	18
3.6.4	I/O Port Commands	19
3.6.5	Calculation Commands	19
3.6.6	Interrupt Processing Commands	20
3.7	Detailed TMCL Command Descriptions	23
3.7.1	ROR (Rotate Right)	23
3.7.2	ROL (Rotate Left)	24
3.7.3	MST (Motor Stop)	25
3.7.4	MVP (Move to Position)	26
3.7.5	SAP (Set Axis Parameter)	29
3.7.6	GAP (Get Axis Parameter)	30
3.7.7	STAP (Store Axis Parameter)	31
3.7.8	RSAP (Restore Axis Parameter)	32
3.7.9	SGP (Set Global Parameter)	33
3.7.10	GGP (Get Global Parameter)	34
3.7.11	STGP (Store Global Parameter)	35
3.7.12	RSGP (Restore Global Parameter)	36
3.7.13	RFS (Reference Search)	37
3.7.14	SIO (Set Output)	39
3.7.15	GIO (Get Input)	41
3.7.16	CALC (Calculate)	44
3.7.17	COMP (Compare)	46
3.7.18	JC (Jump conditional)	47
3.7.19	JA (Jump always)	49
3.7.20	CSUB (Call Subroutine)	50
3.7.21	RSUB (Return from Subroutine)	51



3.7.22	WAIT (Wait for an Event to occur)	52
3.7.23	STOP (Stop TMCL Program Execution – End of TMCL Program)	54
3.7.24	SCO (Set Coordinate)	55
3.7.25	GCO (Get Coordinate)	56
3.7.26	CCO (Capture Coordinate)	58
3.7.27	ACO (Accu to Coordinate)	59
3.7.28	CALCX (Calculate using the X Register)	60
3.7.29	AAP (Accu to Axis Parameter)	62
3.7.30	AGP (Accu to Global Parameter)	63
3.7.31	CLE (Clear Error Flags)	64
3.7.32	EI (Enable Interrupt)	66
3.7.33	DI (Disable Interrupt)	67
3.7.34	VECT (Define Interrupt Vector)	68
3.7.35	RETI (Return from Interrupt)	70
3.7.36	Customer specific Command Extensions (UF0...UF7 – User Functions)	71
3.7.37	Request Target Position reached Event	72
3.7.38	TMCL Control Commands	74
<b>4</b>	<b>Axis Parameters</b>	<b>76</b>
<b>5</b>	<b>Global Parameters</b>	<b>85</b>
5.1	Bank 0	85
5.2	Bank 1	88
5.3	Bank 2	88
5.4	Bank 3	88
<b>6</b>	<b>Module Specific Hints</b>	<b>90</b>
6.1	Conversion between PPS, RPM and RPS	90
6.2	The sensOstep™ Encoder	90
6.2.1	Matching Encoder Resolution and Motor Resolution	91
6.2.2	Special Encoder Functions	91
<b>7</b>	<b>Hints and Tips</b>	<b>92</b>
7.1	Reference Search	92
7.1.1	Mode 1	93
7.1.2	Mode 2	93
7.1.3	Mode 3	93
7.1.4	Mode 4	94
7.1.5	Mode 5	94
7.1.6	Mode 6	95
7.1.7	Mode 7	95
7.1.8	Mode 8	96
7.2	stallGuard2	97
7.3	coolStep	98
<b>8</b>	<b>TMCL Programming Techniques and Structure</b>	<b>100</b>
8.1	Initialization	100
8.2	Main Loop	100
8.3	Using Symbolic Constants	100
8.4	Using Variables	101
8.5	Using Subroutines	102
8.6	Combining Direct Mode and Standalone Mode	102
8.7	Make the TMCL Program start automatically	103
<b>9</b>	<b>Figures Index</b>	<b>104</b>



<b>10 Tables Index</b>	<b>105</b>
<b>11 Supplemental Directives</b>	<b>106</b>
11.1 Producer Information . . . . .	106
11.2 Copyright . . . . .	106
11.3 Trademark Designations and Symbols . . . . .	106
11.4 Target User . . . . .	106
11.5 Disclaimer: Life Support Systems . . . . .	106
11.6 Disclaimer: Intended Use . . . . .	106
11.7 Collateral Documents & Tools . . . . .	107
<b>12 Revision History</b>	<b>108</b>
12.1 Firmware Revision . . . . .	108
12.2 Document Revision . . . . .	109



# 1 Features

The TMC1021 is a single axis controller/driver module for 2-phase bipolar stepper motors with state of the art feature set. It is highly integrated, offers a convenient handling and can be used in many decentralized applications. The module can be mounted on the back of NEMA 11 (28mm flange size) stepper motors and has been designed for coil currents of up to 0.7A RMS and 24V DC supply voltage. With its high energy efficiency from Trinamic's coolStep™ technology cost for power consumption is kept down. The TMCL firmware allows for standalone operation and direct mode control.

## Main characteristics

- Motion controller & stepper motor driver:
  - On the fly alteration of motion parameters (e.g. position, velocity, acceleration).
  - High performance microcontroller for overall system control and communication protocol handling.
  - Up to 256 microsteps per full step.
  - High-efficient operation, low power dissipation.
  - Dynamic current control.
  - Integrated protection.
  - stallGuard2™ feature for stall detection.
  - coolStep™ feature for reduced power consumption and heat dissipation.
- Encoder
  - sensOstep™ magnetic encoder with 1024 increments per round.
  - Usable for example for step-loss detection under all operating conditions and positioning supervision.
- Interfaces
  - RS485 bus.
  - Up to four general-purpose digital inputs (two shared with general purpose outputs).
  - Two general purpose outputs.
  - Step/Direction input (shared with the general purpose inputs).

## Software

TMCL remote controlled operation via RS485 interface and/or stand-alone operation via TMCL programming. PC-based application development software TMCL-IDE available for free.

## Electrical data

- Supply voltage: +24V DC nominal (10...27V DC supply range).
- Motor current: up to 0.7A RMS / 1A peak (programmable). Since hardware V1.4 also 1.4A RMS / 2A peak programmable (new extended range since hardware V1.4).

Please see also the separate Hardware Manual.



## 1.1 stallGuard2

stallGuard2 is a high-precision sensorless load measurement using the back EMF of the coils. It can be used for stall detection as well as other uses at loads below those which stall the motor. The stallGuard2 measurement value changes linearly over a wide range of load, velocity, and current settings. At maximum motor load, the value reaches zero or is near zero. This is the most energy-efficient point of operation for the motor.

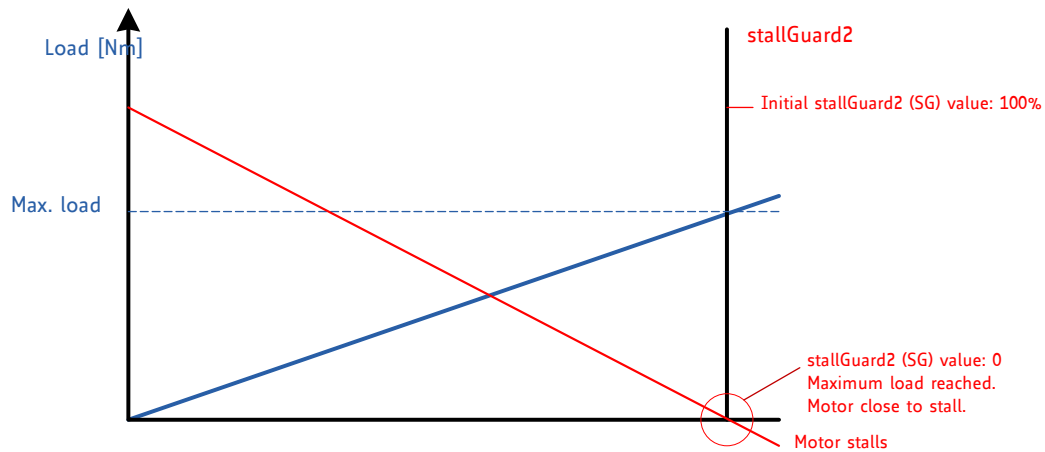


Figure 1: stallGuard2 Load Measurement as a Function of Load

## 1.2 coolStep

coolStep is a load-adaptive automatic current scaling based on the load measurement via stallGuard2 adapting the required current to the load. Energy consumption can be reduced by as much as 75%. coolStep allows substantial energy savings, especially for motors which see varying loads or operate at a high duty cycle. Because a stepper motor application needs to work with a torque reserve of 30% to 50%, even a constant-load application allows significant energy savings because coolStep automatically enables torque reserve when required. Reducing power consumption keeps the system cooler, increases motor life, and allows cost reduction.

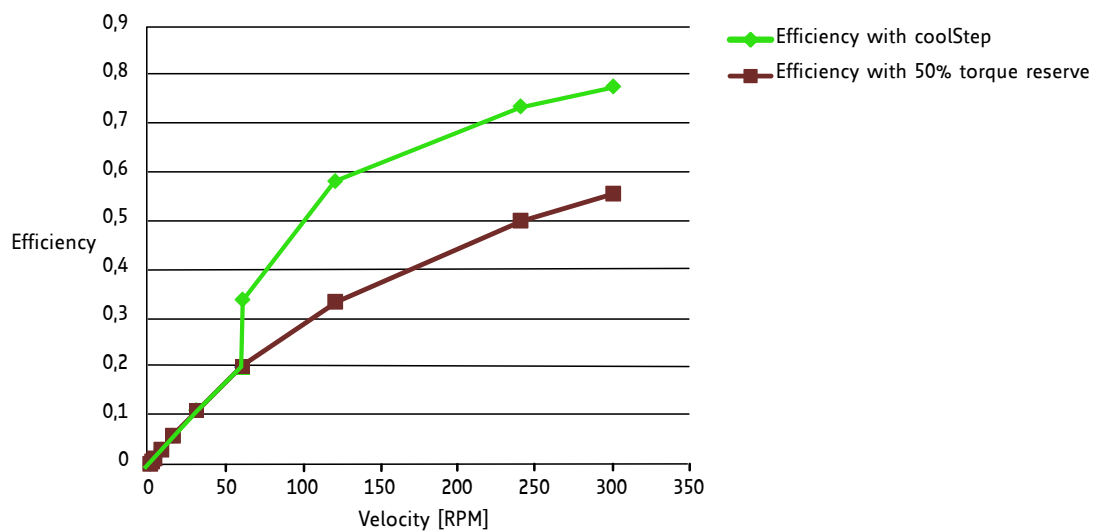


Figure 2: Energy Efficiency Example with coolStep



## 2 First Steps with TMCL

In this chapter you can find some hints for your first steps with the TMCM-1021 and TMCL. You may skip this chapter if you are already familiar with TMCL and the TMCL-IDE.

### Things that you will need

- Your TMCM-1021 module.
- An RS485 interface connected to your PC.
- A power supply (24V DC) for your TMCM-1021 module.
- The TMCL-IDE 3.x already installed on your PC.
- A two-phase bipolar stepper motor.

### 2.1 Basic Setup

First of all, you will need a PC with Windows (at least Windows 7) and the TMCL-IDE 3.x installed on it. If you do not have the TMCL-IDE installed on your PC then please download it from the TMCL-IDE product page of Trinamic's website (<http://www.trinamic.com>) and install it on your PC.

Please also ensure that your TMCM-1021 is properly connected to your power supply and that the stepper motor is properly connected to the module. Please see the TMCM-1021 hardware manual for instructions on how to do this. **Do not connect or disconnect a stepper motor to or from the module while the module is powered!**

Then, please start up the TMCL-IDE. After that you can connect your TMCM-1021 via RS485 and switch on the power supply for the module (while the TMCL-IDE is running on your PC). When the module is connected properly via RS485 then it will be recognized by the TMCL-IDE so that it can be used.

### 2.2 Using the TMCL Direct Mode

At first try to use some TMCL commands in direct mode. In the TMCL-IDE a tree view showing the TMCM-1021 and all tools available for it is displayed. Click on the Direct Mode entry of the tool tree. Now, the Direct Mode tool will pop up.

In the Direct Mode tool you can choose a TMCL command, enter the necessary parameters and execute the command. For example, choose the command ROL (rotate left). Then choose the appropriate motor (motor 0 if your motor is connected to the motor 0 connector). Now, enter the desired speed. Try entering 51200 (pps) as the value and then click the Execute button. The motor will now run. Choose the MST (motor stop) command and click Execute again to stop the motor.

### 2.3 Changing Axis Parameters

Next you can try changing some settings (also called axis parameters) using the SAP command in direct mode. Choose the SAP command. Then choose the parameter type and the motor number. Last, enter the desired value and click execute to execute the command which then changes the desired parameter. The following table points out the most important axis parameters. Please see chapter 4 for a complete list of all axis parameters.



Most important axis parameters																																												
Number	Axis Parameter	Description	Range [Units]	Access																																								
4	Maximum positioning speed	The maximum speed used for positioning ramps.	1... 2147483647 [pps]	RW																																								
5	Maximum acceleration	Maximum acceleration in positioning ramps. Acceleration and deceleration value in velocity mode.	1... 2147483647 [pps <sup>2</sup> ]	RW																																								
6	Maximum current	<p>Motor current used when motor is running. The maximum value is 255 which means 100% of the maximum current of the module.</p> <p>The current can be adjusted in 32 steps:</p> <table border="1"> <tbody> <tr> <td>0...7</td> <td>79...87</td> <td>160...167</td> <td>240...247</td> </tr> <tr> <td>8...15</td> <td>88...95</td> <td>168...175</td> <td>248...255</td> </tr> <tr> <td>16...23</td> <td>96...103</td> <td>176...183</td> <td></td> </tr> <tr> <td>24...31</td> <td>104...111</td> <td>184...191</td> <td></td> </tr> <tr> <td>32...39</td> <td>112...119</td> <td>192...199</td> <td></td> </tr> <tr> <td>40...47</td> <td>120...127</td> <td>200...207</td> <td></td> </tr> <tr> <td>48...55</td> <td>128...135</td> <td>208...215</td> <td></td> </tr> <tr> <td>56...63</td> <td>136...143</td> <td>216...223</td> <td></td> </tr> <tr> <td>64...71</td> <td>144...151</td> <td>224...231</td> <td></td> </tr> <tr> <td>72...79</td> <td>152...159</td> <td>232...239</td> <td></td> </tr> </tbody> </table> <p><i>The most important setting, as too high values can cause motor damage.</i></p>	0...7	79...87	160...167	240...247	8...15	88...95	168...175	248...255	16...23	96...103	176...183		24...31	104...111	184...191		32...39	112...119	192...199		40...47	120...127	200...207		48...55	128...135	208...215		56...63	136...143	216...223		64...71	144...151	224...231		72...79	152...159	232...239		0...255	RW
0...7	79...87	160...167	240...247																																									
8...15	88...95	168...175	248...255																																									
16...23	96...103	176...183																																										
24...31	104...111	184...191																																										
32...39	112...119	192...199																																										
40...47	120...127	200...207																																										
48...55	128...135	208...215																																										
56...63	136...143	216...223																																										
64...71	144...151	224...231																																										
72...79	152...159	232...239																																										
7	Standby current	The current used when the motor is not running. The maximum value is 255 which means 100% of the maximum current of the module. This value should be as low as possible so that the motor can cool down when it is not moving. Please see also parameter 214.	0...255	RW																																								

Table 1: Most important Axis Parameters

## 2.4 Testing with a simple TMCL Program

Now, test the TMCL stand alone mode with a simple TMCL program. To type in, assemble and download the program, you will need the TMCL creator. This is also a tool that can be found in the tool tree of the TMCL-IDE. Click the TMCL creator entry to open the TMCL creator. In the TMCL creator, type in the following little TMCL program:

```

1  ROL 0, 51200 //Rotate motor 0 with speed 51200pps (1rps)
   WAIT TICKS, 0, 500
3  MST 0
   ROR 0, 5120 //Rotate motor 0 with 5120pps (0.1rps)
5  WAIT TICKS, 0, 500

```





```
MST 0
7
SAP 4, 0, 51200 //Set max. Velocity
9 SAP 5, 0, 51200 //Set max. Acceleration
Loop:
11 MVP ABS, 0, 512000 //Move to Position 512000
WAIT POS, 0, 0 //Wait until position reached
13 MVP ABS, 0, -512000 //Move to Position -512000
WAIT POS, 0, 0 //Wait until position reached
15 JA Loop //Infinite Loop
```

After you have done that, take the following steps:

1. Click the Assemble icon (or choose Assemble from the TMCL menu) in the TMCL creator to assemble the program.
2. Click the Download icon (or choose Download from the TMCL menu) in the TMCL creator to download the program to the module.
3. Click the Run icon (or choose Run from the TMCL menu) in the TMCL creator to run the program on the module.

Also try out the debugging functions in the TMCL creator:

1. Click on the Bug icon to start the debugger.
2. Click the Animate button to see the single steps of the program.
3. You can at any time pause the program, set or reset breakpoints and resume program execution.
4. To end the debug mode click the Bug icon again.



## 3 TMCL and the TMCL-IDE — An Introduction

As with most TRINAMIC modules the software running on the microprocessor of the TMCM-1021 consists of two parts, a boot loader and the firmware itself. Whereas the boot loader is installed during production and testing at TRINAMIC and remains untouched throughout the whole lifetime, the firmware can be updated by the user. New versions can be downloaded free of charge from the TRINAMIC website (<http://www.trinamic.com>).

The TMCM-1021 supports TMCL direct mode (binary commands). It also implements standalone TMCL program execution. This makes it possible to write TMCL programs using the TMCL-IDE and store them in the memory of the module.

In direct mode the TMCL communication over RS-232, RS-485, CAN and USB follows a strict master/slave relationship. That is, a host computer (e.g. PC/PLC) acting as the interface bus master will send a command to the TMCM-1021. The TMCL interpreter on the module will then interpret this command, do the initialization of the motion controller, read inputs and write outputs or whatever is necessary according to the specified command. As soon as this step has been done, the module will send a reply back over the interface to the bus master. Only then should the master transfer the next command.

Normally, the module will just switch to transmission and occupy the bus for a reply, otherwise it will stay in receive mode. It will not send any data over the interface without receiving a command first. This way, any collision on the bus will be avoided when there are more than two nodes connected to a single bus. The Trinamic Motion Control Language [TMCL] provides a set of structured motion control commands. Every motion control command can be given by a host computer or can be stored in an EEPROM on the TMCM module to form programs that run standalone on the module. For this purpose there are not only motion control commands but also commands to control the program structure (like conditional jumps, compare and calculating).

Every command has a binary representation and a mnemonic. The binary format is used to send commands from the host to a module in direct mode, whereas the mnemonic format is used for easy usage of the commands when developing standalone TMCL applications using the TMCL-IDE (IDE means Integrated Development Environment).

There is also a set of configuration variables for the axis and for global parameters which allow individual configuration of nearly every function of a module. This manual gives a detailed description of all TMCL commands and their usage.

### 3.1 Binary Command Format

Every command has a mnemonic and a binary representation. When commands are sent from a host to a module, the binary format has to be used. Every command consists of a one-byte command field, a one-byte type field, a one-byte motor/bank field and a four-byte value field. So the binary representation of a command always has seven bytes. When a command is to be sent via RS-232, RS-485, RS-422 or USB interface, it has to be enclosed by an address byte at the beginning and a checksum byte at the end. In these cases it consists of nine bytes.

The binary command format with RS-232, RS-485, RS-422 and USB is as follows:



TMCL Command Format	
Bytes	Meaning
1	Module address
1	Command number
1	Type number
1	Motor or Bank number
4	Value (MSB first!)
1	Checksum

Table 2: TMCL Command Format

**Info**

The checksum is calculated by accumulating all the other bytes using an 8-bit addition.

**Note**

When using the CAN interface, leave out the address byte and the checksum byte. With CAN, the CAN-ID is used as the module address and the checksum is not needed because CAN bus uses hardware CRC checking.

### 3.1.1 Checksum Calculation

As mentioned above, the checksum is calculated by adding up all bytes (including the module address byte) using 8-bit addition. Here are two examples which show how to do this:

Checksum calculation in C:

```

1 unsigned char i, Checksum;
  unsigned char Command[9];
3
  //Set the Command array to the desired command
5 Checksum = Command[0];
  for(i=1; i<8; i++)
7     Checksum+=Command[i];
9
  Command[8]=Checksum; //insert checksum as last byte of the command
  //Now, send it to the module
    
```

Checksum calculation in Delphi:

```

var
2   i, Checksum: byte;
   Command: array[0..8] of byte;
4
   //Set the Command array to the desired command
6
   //Calculate the Checksum:
8   Checksum:=Command[0];
   for i:=1 to 7 do Checksum:=Checksum+Command[i];
10  Command[8]:=Checksum;
   //Now, send the Command array (9 bytes) to the module
    
```



## 3.2 Reply Format

Every time a command has been sent to a module, the module sends a reply. The reply format with RS-232, RS-485, RS-422 and USB is as follows:

TMCL Reply Format	
Bytes	Meaning
1	Reply address
1	Module address
1	Status (e.g. 100 means no error)
1	Command number
4	Value (MSB first!)
1	Checksum

Table 3: TMCL Reply Format

### **i** Info

The checksum is also calculated by adding up all the other bytes using an 8-bit addition. Do not send the next command before having received the reply!

### Note

When using CAN interface, the reply does not contain an address byte and a checksum byte. With CAN, the CAN-ID is used as the reply address and the checksum is not needed because the CAN bus uses hardware CRC checking.

### 3.2.1 Status Codes

The reply contains a status code. The status code can have one of the following values:

TMCL Status Codes	
Code	Meaning
100	Successfully executed, no error
101	Command loaded into TMCL program EEPROM
1	Wrong checksum
2	Invalid command
3	Wrong type
4	Invalid value
5	Configuration EEPROM locked
6	Command not available

Table 4: TMCL Status Codes



### 3.3 Standalone Applications

The module is equipped with a TMCL memory for storing TMCL applications. You can use the TMCL-IDE for developing standalone TMCL applications. You can download a program into the EEPROM and afterwards it will run on the module. The TMCL-IDE contains an editor and the TMCL assembler where the commands can be entered using their mnemonic format. They will be assembled automatically into their binary representations. Afterwards this code can be downloaded into the module to be executed there.



## 3.4 The ASCII Interface

There is also an ASCII interface that can be used to communicate with the module and to send some direct mode commands as text strings. Only the following commands can be used in ASCII mode: ROL, ROR, MST, MVP, SAP, GAP, STAP, RSAP, SGP, GGP, STGP, RSGP, RFS, SIO, GIO, SCO, GCO, CCO, UF0, UF1, UF2, UF3, UF4, UF5, UF6, UF7.

---

**Note** Only direct mode commands can be entered in ASCII mode.

---

**Note** The TMCL-IDE does not support communicating with the module in ASCII mode. So, in order to be able to use the TMCL-IDE with a module the module must be in binary mode. We normally recommend using the binary mode as this has some advantages over the ASCII mode. The ASCII mode is only provided here for compatibility. For new applications it is strongly recommended to use the binary mode.

---

There are also some special commands that are only available in ASCII mode:

- BIN: This command quits ASCII mode and returns to binary mode.
- RUN: This command can be used to start a TMCL program stored in memory.
- STOP: Stops a TMCL program which is currently running on the module.

### 3.4.1 Entering and leaving the ASCII Mode

- The ASCII command line interface is entered by sending the binary command 139 (enter ASCII mode).
- Afterwards the commands can be entered in their mnemonic form (e.g. via a terminal program).
- For leaving the ASCII mode and re-entering the binary mode enter the command BIN.

### 3.4.2 Format of the Command Line

As the first character, the address character has to be sent. The address character is A when the module address is 1, B for modules with address 2 and so on. After the address character there may be spaces (but this is not necessary). Then, send the command with its parameters. At the end of a command line a <CR> character has to be sent. Here are some examples for valid ASCII mode command lines (assuming that the module address is 1):

- AMVP ABS, 1, 50000
- A MVP ABS, 1, 50000
- AROL 2, 500
- A MST 1
- ABIN

The last command line shown above will make the module return to binary mode.



### 3.4.3 Format of a Reply

After executing the command the module sends back a reply in ASCII format which consists of the following things:

- The address character of the host (host address that can be set in the module) .
- The address character of the module.
- The status code as a decimal number.
- The return value of the command as a decimal number.
- A <CR> character.

So, after sending AGAP 0, 1 the reply would be BA 100 -5000 if the actual position of axis 1 is -5000, the host address is set to 2 and the module address is 1. The value 100 is the status code 100 which means that the command has been executed successfully.

### 3.4.4 Configuring the ASCII Interface

The module can be configured so that it starts up either in binary mode or in ASCII mode. Global parameter 67 is used for this purpose (please see also chapter 5).

- Bit 0 determines the startup mode: if this bit is set, the module will start up in ASCII mode, else the module will start up in binary mode (default).
- Bit 4 and bit 5 determine how the characters that are entered are echoed back. Normally, both bits are set to zero. In this case every character that is entered will be echoed back when the module is addressed. Characters can also be erased using the backspace character (press the backspace key in a terminal program).
- When bit 4 is set and bit 5 is clear the characters that are entered are not echoed back immediately but the entire line will be echoed back after the <CR> character has been sent.
- When bit 5 is set and bit 4 is clear there will be no echo, only the reply will be sent. This may be useful in RS485 systems.

---

#### Note

When trying the ASCII mode for the first time it is strongly recommended not to use global parameter 67 but the direct mode command 139 to enter the ASCII mode. Then the module can also be switched back to binary mode by a power cycle if there should be trouble with the ASCII mode communication.

---



## 3.5 TMCL Command Overview

This sections gives a short overview of all TMCL commands.

### 3.5.1 TMCL Commands

Overview of all TMCL Commands			
Command	Number	Parameter	Description
ROR	1	<motor number>, <velocity>	Rotate right with specified velocity
ROL	2	<motor number>, <velocity>	Rotate left with specified velocity
MST	3	<motor number>	Stop motor movement
MVP	4	ABS REL COORD, <motor number>, <position offset>	Move to position (absolute or relative)
SAP	5	<parameter>, <motor number>, <value>	Set axis parameter (motion control specific settings)
GAP	6	<parameter>, <motor number>	Get axis parameter (read out motion control specific settings)
STAP	7	<parameter>, <motor number>, <value>	Store axis parameter (store motion control specific settings)
RSAP	8	<parameter>, <motor number>	Restore axis parameter (restore motion control specific settings)
SGP	9	<parameter>, <bank number>, <value>	Set global parameter (module specific settings e.g. communication settings or TMCL user variables)
GGP	10	<parameter>, <bank number>	Get global parameter (read out module specific settings e.g. communication settings or TMCL user variables)
STGP	11	<parameter>, <bank number>	Store global parameter (TMCL user variables only)
RSGP	12	<parameter>, <bank number>	Restore global parameter (TMCL user variables only)
RFS	13	<START STOP STATUS>, <motor number>	Reference search
SIO	14	<port number>, <bank number>, <value>	Set digital output to specified value
GIO	15	<port number>, <bank number>	Get value of analog/digital input
CALC	19	<operation>, <value>	Process accumulator and value
COMP	20	<value>	Compare accumulator with value
JC	21	<condition>, <jump address>	Jump conditional
JA	22	<jump address>	Jump absolute
CSUB	23	<subroutine address>	Call subroutine





Command	Number	Parameter	Description
RSUB	24		Return from subroutine
EI	25	<interrupt number>	Enable interrupt
DI	26	<interrupt number>	Disable interrupt
WAIT	27	<condition>, <motor number>, <ticks>	Wait with further program execution
STOP	28		Stop program execution
SCO	30	<coordinate number>, <motor number>, <position>	Set coordinate
GCO	31	<coordinate number>, <motor number>	Get coordinate
CCO	32	<coordinate number>, <motor number>	Capture coordinate
CALCX	33	<operation>	Process accumulator and X-register
AAP	34	<parameter>, <motor number>	Accumulator to axis parameter
AGP	35	<parameter>, <bank number>	Accumulator to global parameter
CLE	36	<flag>	Clear an error flag
VECT	37	<interrupt number>, <address>	Define interrupt vector
RETI	38		Return from interrupt
ACO	39	<coordinate number>, <motor number>	Accu to coordinate

*Table 5: Overview of all TMCL Commands*

## 3.6 TMCL Commands by Subject

### 3.6.1 Motion Commands

These commands control the motion of the motor. They are the most important commands and can be used in direct mode or in standalone mode.



Motion Commands		
Mnemonic	Command number	Meaning
ROL	2	Rotate left
ROR	1	Rotate right
MVP	4	Move to position
MST	3	Motor stop
SCO	30	Store coordinate
CCO	32	Capture coordinate
GCO	31	Get coordinate

*Table 6: Motion Commands*

### 3.6.2 Parameter Commands

These commands are used to set, read and store axis parameters or global parameters. Axis parameters can be set independently for each axis, whereas global parameters control the behavior of the module itself. These commands can also be used in direct mode and in standalone mode.

Parameter Commands		
Mnemonic	Command number	Meaning
SAP	5	Set axis parameter
GAP	6	Get axis parameter
STAP	7	Store axis parameter
RSAP	8	Restore axis parameter
SGP	9	Set global parameter
GGP	10	Get global parameter
STGP	11	Store global parameter
RSGP	12	Restore global parameter

*Table 7: Parameter Commands*

### 3.6.3 Branch Commands

These commands are used to control the program flow (loops, conditions, jumps etc.). Using them in direct mode does not make sense. They are intended for standalone mode only.



Branch Commands		
Mnemonic	Command number	Meaning
JA	22	Jump always
JC	21	Jump conditional
COMP	20	Compare accumulator with constant value
CSUB	23	Call subroutine
RSUB	24	Return from subroutine
WAIT	27	Wait for a specified event
STOP	28	End of a TMCL program

Table 8: Branch Commands

### 3.6.4 I/O Port Commands

These commands control the external I/O ports and can be used in direct mode as well as in standalone mode.

I/O Port Commands		
Mnemonic	Command number	Meaning
SIO	14	Set output
GIO	15	Get input

Table 9: I/O Port Commands

### 3.6.5 Calculation Commands

These commands are intended to be used for calculations within TMCL applications. Although they could also be used in direct mode it does not make much sense to do so.

Calculation Commands		
Mnemonic	Command number	Meaning
CALC	19	Calculate using the accumulator and a constant value
CALCX	33	Calculate using the accumulator and the X register
AAP	34	Copy accumulator to an axis parameter
AGP	35	Copy accumulator to a global parameter
ACO	39	Copy accu to coordinate

Table 10: Calculation Commands

For calculating purposes there is an accumulator (also called accu or A register) and an X register. When executed in a TMCL program (in standalone mode), all TMCL commands that read a value store the result



in the accumulator. The X register can be used as an additional memory when doing calculations. It can be loaded from the accumulator.

When a command that reads a value is executed in direct mode the accumulator will not be affected. This means that while a TMCL program is running on the module (standalone mode), a host can still send commands like GAP and GGP to the module (e.g. to query the actual position of the motor) without affecting the flow of the TMCL program running on the module.

### 3.6.6 Interrupt Processing Commands

TMCL also contains functions for a simple way of interrupt processing. Using interrupts, many tasks can be programmed in an easier way.

The following commands are used to define and handle interrupts:

Interrupt Processing Commands		
Mnemonic	Command number	Meaning
EI	25	Enable interrupt
DI	26	Disable interrupt
VECT	37	Set interrupt vector
RETI	38	Return from interrupt

Table 11: Interrupt Processing Commands

#### 3.6.6.1 Interrupt Types

There are many different interrupts in TMCL, like timer interrupts, stop switch interrupts, position reached interrupts, and input pin change interrupts. Each of these interrupts has its own interrupt vector. Each interrupt vector is identified by its interrupt number. Please use the TMCL include file `Interrupts.inc` in order to have symbolic constants for the interrupt numbers. Table 12 shows all interrupts that are available on the TMC-1021.

Interrupt Vectors	
Interrupt number	Interrupt type
0	Timer 0
1	Timer 1
2	Timer 2
3	Target position reached 0
15	stallGuard axis 0
21	Deviation axis 0
27	Left stop switch 0
28	Right stop switch 0
39	Input change 0
40	Input change 1
41	Input change 2
42	Input change 3



Interrupt number	Interrupt type
255	Global interrupts

Table 12: Interrupt Vectors

### 3.6.6.2 Interrupt Processing

When an interrupt occurs and this interrupt is enabled and a valid interrupt vector has been defined for that interrupt, the normal TMCL program flow will be interrupted and the interrupt handling routine will be called. Before an interrupt handling routine gets called, the context of the normal program (i.e. accumulator register, X register, flags) will be saved automatically.

There is no interrupt nesting, i.e. all other interrupts are disabled while an interrupt handling routine is being executed.

On return from an interrupt handling routine (RETI command), the context of the normal program will automatically be restored and the execution of the normal program will be continued.

### 3.6.6.3 Further Configuration of Interrupts

Some interrupts need further configuration (e.g. the timer interval of a timer interrupt). This can be done using SGP commands with parameter bank 3 (SGP <type> , 3, <value>). Please refer to the SGP command (chapter 3.7.9) for further information about that.

### 3.6.6.4 Using Interrupts in TMCL

To use an interrupt the following things have to be done:

- Define an interrupt handling routine using the VECT command.
- If necessary, configure the interrupt using an SGP <type>, 3, <value> command.
- Enable the interrupt using an EI <interrupt> command.
- Globally enable interrupts using an EI 255 command.
- An interrupt handling routine must always end with a RETI command.
- Do not allow the normal program flow to run into an interrupt handling routine.

The following example shows the use of a timer interrupt:

```

1  VECT 0, Timer0Irq //define the interrupt vector
   SGP 0, 3, 1000 //configure the interrupt: set its period to 1000ms
3  EI 0 //enable this interrupt
   EI 255 //globally switch on interrupt processing
5
//Main program: toggles output 3, using a WAIT command for the delay
7 Loop:
   SIO 3, 2, 1
9   WAIT TICKS, 0, 50
   SIO 3, 2, 0
11  WAIT TICKS, 0, 50
   JA Loop
13
//Here is the interrupt handling routine
15 Timer0Irq:
   GIO 0, 2 //check if OUT0 is high
17  JC NZ, Out0Off //jump if not

```



```
19   SIO 0, 2, 1           //switch OUT0 high
    RETI                 //end of interrupt
Out0Off:
21   SIO 0, 2, 0           //switch OUT0 low
    RETI                 //end of interrupt
```

In the example above, the interrupt numbers are being used directly. To make the program better readable use the provided include file `Interrupts.inc`. This file defines symbolic constants for all interrupt numbers which can be used in all interrupt commands. The beginning of the program above then looks as follows:

```
#include Interrupts.inc
2   VECT TI_TIMER0, Timer0Irq
    SGP TI_TIMER0, 3, 1000
4   EI TI_TIMER0
    EI TI_GLOBAL
```



## 3.7 Detailed TMCL Command Descriptions

The module specific commands are explained in more detail on the following pages. They are listed according to their command number.

### 3.7.1 ROR (Rotate Right)

The motor is instructed to rotate with a specified velocity in right direction (increasing the position counter). The velocity is given in microsteps per second (pulse per second [pps]).

#### Internal function:

- First, velocity mode is selected.
- Then, the velocity value is transferred to axis parameter #2 (target velocity).

**Related commands:** ROL, MST, SAP, GAP.

**Mnemonic:** ROR <axis>, <velocity>

Binary Representation			
Instruction	Type	Motor/Bank	Value
1	0	0	-2147483648...2147583647

Reply in Direct Mode	
Status	Value
100 - OK	don't care

#### Example

Rotate right motor 0, velocity 51200.

*Mnemonic:* ROR 0, 51200.

Binary Form of ROR 0, 51200	
Field	Value
Target address	01 <sub>h</sub>
Instruction number	01 <sub>h</sub>
Type	00 <sub>h</sub>
Motor/Bank	00 <sub>h</sub>
Value (Byte 3)	00 <sub>h</sub>
Value (Byte 2)	00 <sub>h</sub>
Value (Byte 1)	C8 <sub>h</sub>
Value (Byte 0)	00 <sub>h</sub>
Checksum	CA <sub>h</sub>



### 3.7.2 ROL (Rotate Left)

The motor is instructed to rotate with a specified velocity in left direction (decreasing the position counter). The velocity is given in microsteps per second (pulse per second [pps]).

**Internal function:**

- First, velocity mode is selected.
- Then, the velocity value is transferred to axis parameter #2 (target velocity).

**Related commands:** ROR, MST, SAP, GAP.

**Mnemonic:** ROL <axis>, <velocity>

Binary Representation			
Instruction	Type	Motor/Bank	Value
2	0	0	-2147483648...2147583647

Reply in Direct Mode	
Status	Value
100 - OK	don't care

**Example**

Rotate left motor 0, velocity 51200.

*Mnemonic:* ROL 0, 51200.

Binary Form of ROL 0, 51200	
Field	Value
Target address	01 <sub>h</sub>
Instruction number	02 <sub>h</sub>
Type	00 <sub>h</sub>
Motor/Bank	00 <sub>h</sub>
Value (Byte 3)	00 <sub>h</sub>
Value (Byte 2)	00 <sub>h</sub>
Value (Byte 1)	C8 <sub>h</sub>
Value (Byte 0)	00 <sub>h</sub>
Checksum	CB <sub>h</sub>





### 3.7.3 MST (Motor Stop)

The motor is instructed to stop with a soft stop.

**Internal function:** The velocity mode is selected. Then, the target speed (axis parameter #0) is set to zero.

**Related commands:** ROR, ROL, SAP, GAP.

**Mnemonic:** MST <axis>

Binary Representation			
Instruction	Type	Motor/Bank	Value
3	0	0	0

Reply in Direct Mode	
Status	Value
100 - OK	don't care

#### Example

Stop motor 0.

*Mnemonic:* MST 0.

Binary Form of MST 0	
Field	Value
Target address	01 <sub>h</sub>
Instruction number	03 <sub>h</sub>
Type	00 <sub>h</sub>
Motor/Bank	00 <sub>h</sub>
Value (Byte 3)	00 <sub>h</sub>
Value (Byte 2)	00 <sub>h</sub>
Value (Byte 1)	00 <sub>h</sub>
Value (Byte 0)	00 <sub>h</sub>
Checksum	04 <sub>h</sub>



### 3.7.4 MVP (Move to Position)

With this command the motor will be instructed to move to a specified relative or absolute position. It will use the acceleration/deceleration ramp and the positioning speed programmed into the unit. This command is non-blocking - that is, a reply will be sent immediately after command interpretation and initialization of the motion controller. Further commands may follow without waiting for the motor reaching its end position. The maximum velocity and acceleration as well as other ramp parameters are defined by the appropriate axis parameters. For a list of these parameters please refer to section 4. The range of the MVP command is 32 bit signed (-2147483648...2147483647). Positioning can be interrupted using MST, ROL or ROR commands.

Three operation types are available:

- Moving to an absolute position in the range from -2147483648...2147483647 ( $-2^{31} \dots 2^{31} - 1$ ).
- Starting a relative movement by means of an offset to the actual position. In this case, the new resulting position value must not exceed the above mentioned limits, too.
- Moving the motor to a (previously stored) coordinate (refer to SCO for details).

**Note**

The distance between the actual position and the new position must not be more than 2147483647 ( $2^{31} - 1$ ) microsteps. Otherwise the motor will run in the opposite direction in order to take the shorter distance (caused by 32 bit overflow).

**Internal function:** A new position value is transferred to the axis parameter #0 (target position).

**Related commands:** SAP, GAP, SCO, GCO, CCO, ACO, MST.

**Mnemonic:** MVP <ABS|REL|COORD>, <axis>, <position|offset|coordinate>

Binary Representation			
Instruction	Type	Motor/Bank	Value
4	0 - ABS - absolute	0	<position>
	1 - REL - relative	0	<offset>
	2 - COORD - coordinate	0...255	<coordinate number (0..20)>

Reply in Direct Mode	
Status	Value
100 - OK	don't care

**Example**

Move motor 0 to position 90000.

*Mnemonic:* MVP ABS, 0, 90000



Binary Form of MVP ABS, 0, 90000	
Field	Value
Target address	01 <sub>h</sub>
Instruction number	04 <sub>h</sub>
Type	00 <sub>h</sub>
Motor/Bank	00 <sub>h</sub>
Value (Byte 3)	00 <sub>h</sub>
Value (Byte 2)	01 <sub>h</sub>
Value (Byte 1)	5F <sub>h</sub>
Value (Byte 0)	90 <sub>h</sub>
Checksum	F5 <sub>h</sub>

**Example**

Move motor 0 from current position 10000 microsteps backward.

*Mnemonic:* MVP REL, 0, -10000

Binary Form of MVP REL, 0, -10000	
Field	Value
Target address	01 <sub>h</sub>
Instruction number	04 <sub>h</sub>
Type	01 <sub>h</sub>
Motor/Bank	00 <sub>h</sub>
Value (Byte 3)	FF <sub>h</sub>
Value (Byte 2)	FF <sub>h</sub>
Value (Byte 1)	D8 <sub>h</sub>
Value (Byte 0)	F0 <sub>h</sub>
Checksum	CC <sub>h</sub>

**Example**

Move motor 0 to stored coordinate #8.

*Mnemonic:* MVP COORD, 0, 8



Binary Form of MVP COORD, 0, 8	
Field	Value
Target address	01 <sub>h</sub>
Instruction number	04 <sub>h</sub>
Type	02 <sub>h</sub>
Motor/Bank	00 <sub>h</sub>
Value (Byte 3)	00 <sub>h</sub>
Value (Byte 2)	00 <sub>h</sub>
Value (Byte 1)	00 <sub>h</sub>
Value (Byte 0)	08 <sub>h</sub>
Checksum	0F <sub>h</sub>

---

**Note**

Before moving to a stored coordinate, the coordinate has to be set using an SCO, CCO or ACO command.

---



### 3.7.5 SAP (Set Axis Parameter)

With this command most of the motion control parameters of the module can be specified. The settings will be stored in SRAM and therefore are volatile. That is, information will be lost after power off.

#### **i** Info

For a table with parameters and values which can be used together with this command please refer to section 4.

**Internal function:** The specified value is written to the axis parameter specified by the parameter number.

**Related commands:** GAP, AAP.

**Mnemonic:** SAP <parameter number>, <axis>, <value>

#### Binary representation

Binary Representation			
Instruction	Type	Motor/Bank	Value
5	see chapter 4	0	<value>

Reply in Direct Mode	
Status	Value
100 - OK	don't care

**Example** Set the maximum positioning speed for motor 0 to 51200 pps.

*Mnemonic:* SAP 4, 0, 51200.

Binary Form of SAP 4, 0, 51200	
Field	Value
Target address	01 <sub>h</sub>
Instruction number	05 <sub>h</sub>
Type	04 <sub>h</sub>
Motor/Bank	00 <sub>h</sub>
Value (Byte 3)	00 <sub>h</sub>
Value (Byte 2)	00 <sub>h</sub>
Value (Byte 1)	C8 <sub>h</sub>
Value (Byte 0)	00 <sub>h</sub>
Checksum	D2 <sub>h</sub>



### 3.7.6 GAP (Get Axis Parameter)

Most motion / driver related parameters of the TMCM-1021 can be adjusted using e.g. the SAP command. With the GAP parameter they can be read out. In standalone mode the requested value is also transferred to the accumulator register for further processing purposes (such as conditional jumps). In direct mode the value read is only output in the value field of the reply, without affecting the accumulator.

**Info**

For a table with parameters and values that can be used together with this command please refer to section 4.

**Internal function:** The specified value gets copied to the accumulator.

**Related commands:** SAP, AAP.

**Mnemonic:** GAP <parameter number>, <axis>

Binary Representation			
Instruction	Type	Motor/Bank	Value
6	see chapter 4	0	<value>

Reply in Direct Mode	
Status	Value
100 - OK	value read by this command

**Example**

Get the actual position of motor 0.

*Mnemonic:* GAP 1, 0.

Binary Form of GAP 1, 0	
Field	Value
Target address	01 <sub>h</sub>
Instruction number	06 <sub>h</sub>
Type	01 <sub>h</sub>
Motor/Bank	00 <sub>h</sub>
Value (Byte 3)	00 <sub>h</sub>
Value (Byte 2)	00 <sub>h</sub>
Value (Byte 1)	00 <sub>h</sub>
Value (Byte 0)	00 <sub>h</sub>
Checksum	08 <sub>h</sub>



### 3.7.7 STAP (Store Axis Parameter)

This command is used to store TMCL axis parameters permanently in the EEPROM of the module. This command is mainly needed to store the default configuration of the module. The contents of the user variables can either be automatically or manually restored at power on.

**i Info**

For a table with parameters and values which can be used together with this command please refer to section 4.

**Internal function:** The axis parameter specified by the type and bank number will be stored in the EEPROM.

**Related commands:** SAP, AAP, GAP, RSAP.

**Mnemonic:** STAP <parameter number>, <bank>

Binary Representation			
Instruction	Type	Motor/Bank	Value
7	see chapter 4	0	0 (don't care)

Reply in Direct Mode	
Status	Value
100 - OK	0 (don't care)

**Example**

Store axis parameter #6.

*Mnemonic:* STAP 7, 6.

Binary Form of STAP 6, 12	
Field	Value
Target address	01 <sub>h</sub>
Instruction number	07 <sub>h</sub>
Type	06 <sub>h</sub>
Motor/Bank	00 <sub>h</sub>
Value (Byte 3)	00 <sub>h</sub>
Value (Byte 2)	00 <sub>h</sub>
Value (Byte 1)	00 <sub>h</sub>
Value (Byte 0)	00 <sub>h</sub>
Checksum	0E <sub>h</sub>



### 3.7.8 RSAP (Restore Axis Parameter)

With this command the contents of an axis parameter can be restored from the EEPROM. By default, all axis parameters are automatically restored after power up. An axis parameter that has been changed before can be reset to the stored value by this instruction.

**Info**

For a table with parameters and values which can be used together with this command please refer to section 4.

**Internal function:** The axis parameter specified by the type and bank number will be restored from the EEPROM.

**Related commands:** SAP, AAP, GAP, RSAP.

**Mnemonic:** RSAP <parameter number>, <bank>

Binary Representation			
Instruction	Type	Motor/Bank	Value
8	see chapter 4	0	0 (don't care)

Reply in Direct Mode	
Status	Value
100 - OK	0 (don't care)

**Example**

Restore axis parameter #6.

*Mnemonic:* RSAP 8, 6.

Binary Form of RSAP 8, 6	
Field	Value
Target address	01 <sub>h</sub>
Instruction number	08 <sub>h</sub>
Type	06 <sub>h</sub>
Motor/Bank	00 <sub>h</sub>
Value (Byte 3)	00 <sub>h</sub>
Value (Byte 2)	00 <sub>h</sub>
Value (Byte 1)	00 <sub>h</sub>
Value (Byte 0)	00 <sub>h</sub>
Checksum	0A <sub>h</sub>





### 3.7.9 SGP (Set Global Parameter)

With this command most of the module specific parameters not directly related to motion control can be specified and the TMCL user variables can be changed. Global parameters are related to the host interface, peripherals or application specific variables. The different groups of these parameters are organized in banks to allow a larger total number for future products. Currently, bank 0 is used for global parameters, and bank 2 is used for user variables. Bank 3 is used for interrupt configuration. All module settings in bank 0 will automatically be stored in non-volatile memory (EEPROM).

**Info**

For a table with parameters and values which can be used together with this command please refer to section 5.

**Internal function:** The specified value will be copied to the global parameter specified by the type and bank number. Most parameters of bank 0 will automatically be stored in non-volatile memory.

**Related commands:** GGP, AGP.

**Mnemonic:** SGP <parameter number>, <bank>, <value>

Binary Representation			
Instruction	Type	Motor/Bank	Value
9	see chapter 5	0/2/3	<value>

Reply in Direct Mode	
Status	Value
100 - OK	don't care

**Example**

Set the serial address of the device to 3.  
*Mnemonic:* SGP 66, 0, 3.

Binary Form of SGP 66, 0, 3	
Field	Value
Target address	01 <sub>h</sub>
Instruction number	09 <sub>h</sub>
Type	42 <sub>h</sub>
Motor/Bank	00 <sub>h</sub>
Value (Byte 3)	00 <sub>h</sub>
Value (Byte 2)	00 <sub>h</sub>
Value (Byte 1)	00 <sub>h</sub>
Value (Byte 0)	03 <sub>h</sub>
Checksum	4F <sub>h</sub>



### 3.7.10 GGP (Get Global Parameter)

All global parameters can be read with this function. Global parameters are related to the host interface, peripherals or application specific variables. The different groups of these parameters are organized in banks to allow a larger total number for future products. Currently, bank 0 is used for global parameters, and bank 2 is used for user variables. Bank 3 is used for interrupt configuration.

**i Info**

For a table with parameters and values which can be used together with this command please refer to section 5.

**Internal function:** The global parameter specified by the type and bank number will be copied to the accumulator register.

**Related commands:** SGP, AGP.

**Mnemonic:** GGP <parameter number>, <bank>

Binary Representation			
Instruction	Type	Motor/Bank	Value
10	see chapter 5	0/2/3	0 (don't care)

Reply in Direct Mode	
Status	Value
100 - OK	value read by this command

**Example**

Get the serial address of the device.

*Mnemonic:* GGP 66, 0.

Binary Form of GGP 66, 0	
Field	Value
Target address	01 <sub>h</sub>
Instruction number	0A <sub>h</sub>
Type	42 <sub>h</sub>
Motor/Bank	00 <sub>h</sub>
Value (Byte 3)	00 <sub>h</sub>
Value (Byte 2)	00 <sub>h</sub>
Value (Byte 1)	00 <sub>h</sub>
Value (Byte 0)	00 <sub>h</sub>
Checksum	4D <sub>h</sub>



### 3.7.11 STGP (Store Global Parameter)

This command is used to store TMCL global parameters permanently in the EEPROM of the module. This command is mainly needed to store the TMCL user variables (located in bank 2) in the EEPROM of the module, as most other global parameters (located in bank 0) are stored automatically when being modified. The contents of the user variables can either be automatically or manually restored at power on.

#### **i** Info

For a table with parameters and values which can be used together with this command please refer to section 5.3.

**Internal function:** The global parameter specified by the type and bank number will be stored in the EEPROM.

**Related commands:** SGP, AGP, GGP, RSGP.

**Mnemonic:** STGP <parameter number>, <bank>

Binary Representation			
Instruction	Type	Motor/Bank	Value
11	see chapter 5.3	2	0 (don't care)

Reply in Direct Mode	
Status	Value
100 - OK	0 (don't care)

#### **Example**

Store user variable #42.

*Mnemonic:* STGP 42, 2.

Binary Form of STGP 42, 2	
Field	Value
Target address	01 <sub>h</sub>
Instruction number	0B <sub>h</sub>
Type	2A <sub>h</sub>
Motor/Bank	02 <sub>h</sub>
Value (Byte 3)	00 <sub>h</sub>
Value (Byte 2)	00 <sub>h</sub>
Value (Byte 1)	00 <sub>h</sub>
Value (Byte 0)	00 <sub>h</sub>
Checksum	38 <sub>h</sub>



### 3.7.12 RSGP (Restore Global Parameter)

With this command the contents of a TMCL user variable can be restored from the EEPROM. By default, all user variables are automatically restored after power up. A user variable that has been changed before can be reset to the stored value by this instruction.

**i Info**

For a table with parameters and values which can be used together with this command please refer to section 5.3.

**Internal function:** The global parameter specified by the type and bank number will be restored from the EEPROM.

**Related commands:** SGP, AGP, GGP, STGP.

**Mnemonic:** RSGP <parameter number>, <bank>

Binary Representation			
Instruction	Type	Motor/Bank	Value
12	see chapter 5.3	2	0 (don't care)

Reply in Direct Mode	
Status	Value
100 - OK	0 (don't care)

**Example**

Restore user variable #42.

*Mnemonic:* RSGP 42, 2.

Binary Form of RSGP 42, 2	
Field	Value
Target address	01 <sub>h</sub>
Instruction number	0C <sub>h</sub>
Type	2A <sub>h</sub>
Motor/Bank	02 <sub>h</sub>
Value (Byte 3)	00 <sub>h</sub>
Value (Byte 2)	00 <sub>h</sub>
Value (Byte 1)	00 <sub>h</sub>
Value (Byte 0)	00 <sub>h</sub>
Checksum	39 <sub>h</sub>



### 3.7.13 RFS (Reference Search)

The TMCM-1021 has a built-in reference search algorithm. The reference search algorithm provides different reference search modes. This command starts or stops the built-in reference search algorithm. The status of the reference search can also be queried to see if it already has finished. (In a TMCL program it mostly is better to use the WAIT RFS command to wait for the end of a reference search.) Please see the appropriate parameters in the axis parameter table to configure the reference search algorithm to meet your needs (please see chapter 4).

**Internal function:** The internal reference search state machine is started or stoped, or its state is queried.

**Related commands:** SAP, GAP, WAIT.

**Mnemonic:** RFS <START|STOP|STATUS>, <motor>

Binary Representation			
Instruction	Type	Motor/Bank	Value
13	0 START — start reference search	0	0 (don't care)
	1 STOP — stop reference search		
	2 STATUS — get status		

Reply in Direct Mode (RFS START or RFS STOP)	
Status	Value
100 - OK	0 (don't care)

Reply in Direct Mode (RFS STATUS)		
Status	Value	
100 - OK	0	no ref. search active
	other values	reference search active

#### Example

Start reference search of motor 0.

*Mnemonic:* RFS START, 0.



Binary Form of RFS START	
Field	Value
Target address	01 <sub>h</sub>
Instruction number	0D <sub>h</sub>
Type	00 <sub>h</sub>
Motor/Bank	00 <sub>h</sub>
Value (Byte 3)	00 <sub>h</sub>
Value (Byte 2)	00 <sub>h</sub>
Value (Byte 1)	00 <sub>h</sub>
Value (Byte 0)	00 <sub>h</sub>
Checksum	0E <sub>h</sub>



### 3.7.14 SIO (Set Output)

This command sets the states of the general purpose digital outputs.

**Internal function:** The state of the output line specified by the type parameter is set according to the value passed to this command.

**Related commands:** GIO.

**Mnemonic:** SIO <port number>, <bank number>, <value>

Binary Representation			
Instruction	Type	Motor/Bank	Value
14	<port number>	<bank number> (2)	0/1

Reply in Direct Mode	
Status	Value
100 - OK	0 (don't care)

#### Example

Set output 0 (bank 2) to high.

*Mnemonic:* SIO 0, 2, 1.

Binary Form of SIO 0, 2, 1	
Field	Value
Target address	01 <sub>h</sub>
Instruction number	0E <sub>h</sub>
Type	00 <sub>h</sub>
Motor/Bank	02 <sub>h</sub>
Value (Byte 3)	00 <sub>h</sub>
Value (Byte 2)	00 <sub>h</sub>
Value (Byte 1)	00 <sub>h</sub>
Value (Byte 0)	01 <sub>h</sub>
Checksum	12 <sub>h</sub>

#### Bank 2 – Digital Outputs

The following output lines can be set by the SIO commands) using bank 2.



Digital Outputs in Bank 2		
Port	Command	Range
OUT0	SIO 0, 2, <value>	0/1
OUT1	SIO 1, 2, <value>	0/1

*Special case:* SIO 255, 2, <x> can be used to change all general purpose digital output lines simultaneously. The value <x> will then be interpreted as a bit vector where each of the lower eight bits represents one of the digital outputs. So the range for <x> is 0...255. The value <x> can also be -1. In this case, the value will be taken from the accumulator register. The following program can be used to copy the states of the input lines to the output lines:

```
1 Loop :  
  GIO 255, 0  
3  SIO 255, 2, -1  
  JA Loop
```





### 3.7.15 GIO (Get Input)

With this command the status of the available general purpose outputs of the module can be read. The function reads a digital or an analog input port. Digital lines will read as 0 or 1, while the ADC channels deliver their 12 bit result in the range of 0...4095. In standalone mode the requested value is copied to the accumulator register for further processing purposes such as conditional jumps. In direct mode the value is only output in the value field of the reply, without affecting the accumulator. The actual status of a digital output line can also be read.

**Internal function:** The state of the i/o line specified by the type parameter and the bank parameter is read.

**Related commands:** SIO.

**Mnemonic:** GIO <port number>, <bank number>

Binary Representation			
Instruction	Type	Motor/Bank	Value
15	<port number>	<bank number> (0/1/2)	0 (don't care)

Reply in Direct Mode	
Status	Value
100 - OK	status of the port

#### Example

Get the value of ADC channel 0.

*Mnemonic:* GIO 0, 1.

Binary Form of GIO 0, 1	
Field	Value
Target address	01 <sub>h</sub>
Instruction number	0F <sub>h</sub>
Type	00 <sub>h</sub>
Motor/Bank	01 <sub>h</sub>
Value (Byte 3)	00 <sub>h</sub>
Value (Byte 2)	00 <sub>h</sub>
Value (Byte 1)	00 <sub>h</sub>
Value (Byte 0)	00 <sub>h</sub>
Checksum	11 <sub>h</sub>



Reply (Status=no error, Value=302)	
Field	Value
Host address	02 <sub>h</sub>
Target address	01 <sub>h</sub>
Status	64 <sub>h</sub>
Instruction	0F <sub>h</sub>
Value (Byte 3)	00 <sub>h</sub>
Value (Byte 2)	00 <sub>h</sub>
Value (Byte 1)	01 <sub>h</sub>
Value (Byte 0)	2E <sub>h</sub>
Checksum	A5 <sub>h</sub>

### Bank 0 - Digital Inputs

The analog input lines can be read as digital or analog inputs at the same time. The digital input states can be accessed in bank 0.

Digital Inputs in Bank 0		
Port	Command	Range
IN0	GIO 0, 0	0/1
IN1	GIO 1, 0	0/1
IN2 (same pin as OUT0)	GIO 2, 0	0/1
IN3 (same pin as OUT1)	GIO 3, 0	0/1

*Special case:* GIO 255, 0 reads all general purpose inputs simulataneously and puts the result into the lower eight bits of the accumulator register.

*Special case:* GIO 11, 0 checks if the sensOstep™ encoder is near its absolute zero position.

### Bank 1 - Analog Inputs

The analog input lines can be read back as digital or analog inputs at the same time. The analog values can be accessed in bank 1.

Analog Inputs in Bank 1		
Port	Command	Range / Units
IN3	GIO 0, 1	0... 4095
Temperature	GIO 9, 1	[°C]

### Bank 2 - States of the Digital Outputs

The states of the output lines (that have been set by SIO commands) can be read back using bank 2.



Digital Outputs in Bank 2		
Port	Command	Range
OUT0	GIO 0, 2	0/1
OUT1	GIO 1, 2	0/1



### 3.7.16 CALC (Calculate)

A value in the accumulator variable, previously read by a function such as GAP (get axis parameter) can be modified with this instruction. Nine different arithmetic functions can be chosen and one constant operand value must be specified. The result is written back to the accumulator, for further processing like comparisons or data transfer. *This command is mainly intended for use in standalone mode.*

**Related commands:** CALCX, COMP, AAP, AGP, GAP, GGP, GIO.

**Mnemonic:** CALC <operation>, <operand>

#### Binary representation

Binary Representation			
Instruction	Type	Motor/Bank	Value
19	0 ADD – add to accumulator 1 SUB – subtract from accumulator 2 MUL – multiply accumulator by 3 DIV – divide accumulator by 4 MOD – modulo divide accumulator by 5 AND – logical and accumulator with 6 OR – logical or accumulator with 7 XOR – logical exor accumulator with 8 NOT – logical invert accumulator 9 LOAD – load operand into accumulator	0 (don't care)	<operand>

Reply in Direct Mode	
Status	Value
100 - OK	the operand (don't care)

#### Example

Multiply accumulator by -5000.

*Mnemonic:* CALC MUL, -5000



Binary Form of CALC MUL, -5000	
Field	Value
Target address	01 <sub>h</sub>
Instruction number	13 <sub>h</sub>
Type	02 <sub>h</sub>
Motor/Bank	00 <sub>h</sub>
Value (Byte 3)	FF <sub>h</sub>
Value (Byte 2)	FF <sub>h</sub>
Value (Byte 1)	EC <sub>h</sub>
Value (Byte 0)	78 <sub>h</sub>
Checksum	78 <sub>h</sub>

Reply (Status=no error, value=-5000:	
Field	Value
Host address	02 <sub>h</sub>
Target address	01 <sub>h</sub>
Status	64 <sub>h</sub>
Instruction	13 <sub>h</sub>
Value (Byte 3)	FF <sub>h</sub>
Value (Byte 2)	FF <sub>h</sub>
Value (Byte 1)	EC <sub>h</sub>
Value (Byte 0)	78 <sub>h</sub>
Checksum	DC <sub>h</sub>



### 3.7.17 COMP (Compare)

The specified number is compared to the value in the accumulator register. The result of the comparison can for example be used by the conditional jump (JC) instruction. *This command is intended for use in standalone operation only.*

**Internal function:** The accumulator register is compared with the specified value. The internal arithmetic status flags are set according to the result of the comparison. These can then control e.g. a conditional jump.

**Related commands:** JC, GAP, GGP, GIO, CALC, CALCX.

**Mnemonic:** COMP <operand>

Binary Representation			
Instruction	Type	Motor/Bank	Value
20	0 (don't care)	0 (don't care)	<operand>

#### Example

Jump to the address given by the label when the position of motor #0 is greater than or equal to 1000.

```
GAP 1, 0 //get actual position of motor 0
COMP 1000 //compare actual value with 1000
JC GE, Label //jump to Label if greter or equal to 1000
```

Binary Form of COMP 1000	
Field	Value
Target address	01 <sub>h</sub>
Instruction number	14 <sub>h</sub>
Type	00 <sub>h</sub>
Motor/Bank	00 <sub>h</sub>
Value (Byte 3)	00 <sub>h</sub>
Value (Byte 2)	00 <sub>h</sub>
Value (Byte 1)	03 <sub>h</sub>
Value (Byte 0)	E8 <sub>h</sub>
Checksum	00 <sub>h</sub>



### 3.7.18 JC (Jump conditional)

The JC instruction enables a conditional jump to a fixed address in the TMCL program memory, if the specified condition is met. The conditions refer to the result of a preceding comparison. Please refer to COMP instruction for examples. *This command is intended for standalone operation only.*

**Internal function:** The TMCL program counter is set to the value passed to this command if the status flags are in the appropriate states.

**Related commands:** JA, COMP, WAIT, CLE.

**Mnemonic:** JC <condition>, <label>

Binary Representation			
Instruction	Type	Motor/Bank	Value
21	0 ZE - zero	0 (don't care)	<jump address>
	1 NZ - not zero		
	2 EQ - equal		
	3 NE - not equal		
	4 GT - greater		
	5 GE - greater/equal		
	6 LT - lower		
	7 LE - lower/equal		
	8 ETO - time out error		
	9 EAL - external alarm		
	10 EDV - deviation error		
	11 EPO - position error		

#### Example

Jump to the address given by the label when the position of motor #0 is greater than or equal to 1000.

```

1 GAP 1, 0 //get actual position of motor 0
  COMP 1000 //compare actual value with 1000
3 JC GE, Label //jump to Lable if greter or equal to 1000
  ...
5 Label: ROL 0, 1000
    
```



Binary form of JC GE, Label assuming Label at address 10	
Field	Value
Target address	01 <sub>h</sub>
Instruction number	15 <sub>h</sub>
Type	05 <sub>h</sub>
Motor/Bank	00 <sub>h</sub>
Value (Byte 3)	00 <sub>h</sub>
Value (Byte 2)	00 <sub>h</sub>
Value (Byte 1)	00 <sub>h</sub>
Value (Byte 0)	0A <sub>h</sub>
Checksum	25 <sub>h</sub>





### 3.7.19 JA (Jump always)

Jump to a fixed address in the TMCL program memory. *This command is intended for standalone operation only.*

**Internal function:** The TMCL program counter is set to the value passed to this command.

**Related commands:** JC, WAIT, CSUB.

**Mnemonic:** JA <label>

Binary Representation			
Instruction	Type	Motor/Bank	Value
22	0 (don't care)	0 (don't care)	<jump address>

#### Example

An infinite loop in TMCL:

```

1 Loop :
    MVP ABS , 0 , 51200
3    WAIT POS , 0 , 0
    MVP ABS , 0 , 0
5    WAIT POS , 0 , 0
    JA Loop
    
```

*Binary form of the JA Loop command when the label Loop is at address 10:*

Binary Form of JA Loop (assuming Loop at address 10)	
Field	Value
Target address	01 <sub>h</sub>
Instruction number	16 <sub>h</sub>
Type	00 <sub>h</sub>
Motor/Bank	00 <sub>h</sub>
Value (Byte 3)	00 <sub>h</sub>
Value (Byte 2)	00 <sub>h</sub>
Value (Byte 1)	00 <sub>h</sub>
Value (Byte 0)	0A <sub>h</sub>
Checksum	21 <sub>h</sub>



### 3.7.20 CSUB (Call Subroutine)

This function calls a subroutine in the TMCL program memory. *It is intended for standalone operation only.*

**Internal function:** the actual TMCL program counter value is saved to an internal stack, afterwards overwritten with the passed value. The number of entries in the internal stack is limited to 8. This also limits nesting of subroutine calls to 8. The command will be ignored if there is no more stack space left.

**Related commands:** RSUB, JA.

**Mnemonic:** CSUB <label>

Binary Representation			
Instruction	Type	Motor/Bank	Value
23	0 (don't care)	0 (don't care)	<subroutine address>

#### Example

Call a subroutine:

```

Loop :
2   MVP ABS , 0 , 10000
   CSUB SubW //Save program counter and jump to label SubW
4   MVP ABS , 0 , 0
   CSUB SubW //Save program counter and jump to label SubW
6   JA Loop

8 SubW :
   WAIT POS , 0 , 0
10  WAIT TICKS , 0 , 50
   RSUB //Continue with the command following the CSUB command
    
```

Binary form of CSUB SubW (assuming SubW at address 100)	
Field	Value
Target address	01 <sub>h</sub>
Instruction number	17 <sub>h</sub>
Type	00 <sub>h</sub>
Motor/Bank	00 <sub>h</sub>
Value (Byte 3)	00 <sub>h</sub>
Value (Byte 2)	00 <sub>h</sub>
Value (Byte 1)	00 <sub>h</sub>
Value (Byte 0)	64 <sub>h</sub>
Checksum	7C <sub>h</sub>



### 3.7.21 RSUB (Return from Subroutine)

Return from a subroutine to the command after the CSUB command. *This command is intended for use in standalone mode only.*

**Internal function:** the TMCL program counter is set to the last value saved on the stack. The command will be ignored if the stack is empty.

**Related commands:** CSUB.

**Mnemonic:** RSUB

Binary Representation			
Instruction	Type	Motor/Bank	Value
24	0 (don't care)	0 (don't care)	0 (don't care)

#### Example

Please see the CSUB example (section 3.7.20).

*Binary form:*

Binary Form of RSUB	
Field	Value
Target address	01 <sub>h</sub>
Instruction number	18 <sub>h</sub>
Type	00 <sub>h</sub>
Motor/Bank	00 <sub>h</sub>
Value (Byte 3)	00 <sub>h</sub>
Value (Byte 2)	00 <sub>h</sub>
Value (Byte 1)	00 <sub>h</sub>
Value (Byte 0)	00 <sub>h</sub>
Checksum	19 <sub>h</sub>



### 3.7.22 WAIT (Wait for an Event to occur)

This instruction interrupts the execution of the TMCL program until the specified condition is met. *This command is intended for standalone operation only.*

There are five different wait conditions that can be used:

- TICKS: Wait until the number of timer ticks specified by the <ticks> parameter has been reached.
- POS: Wait until the target position of the motor specified by the <motor> parameter has been reached. An optional timeout value (0 for no timeout) must be specified by the <ticks> parameter.
- REFSW: Wait until the reference switch of the motor specified by the <motor> parameter has been triggered. An optional timeout value (0 for no timeout) must be specified by the <ticks> parameter.
- LIMSW: Wait until a limit switch of the motor specified by the <motor> parameter has been triggered. An optional timeout value (0 for no timeout) must be specified by the <ticks> parameter.
- RFS: Wait until the reference search of the motor specified by the <motor> field has been reached. An optional timeout value (0 for no timeout) must be specified by the <ticks> parameter.

Special case for the <ticks> parameter: When this parameter is set to -1 the contents of the accumulator register will be taken for this value. So for example WAIT TICKS, 0, -1 will wait as long as specified by the value store in the accumulator. *The accumulator must not contain a negative value when using this option.*

The timeout flag (ETO) will be set after a timeout limit has been reached. You can then use a JC ETO command to check for such errors or clear the error using the CLE command.

**Internal function:** the TMCL program counter will be held at the address of this WAIT command until the condition is met or the timeout has expired.

**Related commands:** JC, CLE.

**Mnemonic:** WAIT <condition>, <motor number>, <ticks>

Binary Representation			
Instruction	Type	Motor/Bank	Value
27	0 TICKS – timer ticks	0 (don't care)	<no. of ticks to wait <sup>1</sup> >
	1 POS – target position reached	<motor number>	<no. of ticks for timeout <sup>1</sup> > 0 for no timeout
	2 REFSW – reference switch	<motor number>	<no. of ticks for timeout <sup>1</sup> > 0 for no timeout
	3 LIMSW – limit switch	<motor number>	<no. of ticks for timeout <sup>1</sup> > 0 for no timeout
	4 RFS – reference search completed	<motor number>	<no. of ticks for timeout <sup>1</sup> > 0 for no timeout

#### Example

<sup>1</sup> one tick is 10 milliseconds



Wait for motor 0 to reach its target position, without timeout.

*Mnemonic:* WAIT POS, 0, 0

Binary Form of WAIT POS, 0, 0	
Field	Value
Target address	01 <sub>h</sub>
Instruction number	1B <sub>h</sub>
Type	01 <sub>h</sub>
Motor/Bank	00 <sub>h</sub>
Value (Byte 3)	00 <sub>h</sub>
Value (Byte 2)	00 <sub>h</sub>
Value (Byte 1)	00 <sub>h</sub>
Value (Byte 0)	00 <sub>h</sub>
Checksum	1D <sub>h</sub>



### 3.7.23 STOP (Stop TMCL Program Execution – End of TMCL Program)

This command stops the execution of a TMCL program. *It is intended for use in standalone operation only.*

**Internal function:** Execution of a TMCL program in standalone mode will be stopped.

**Related commands:** none.

**Mnemonic:** STOP

Binary Representation			
Instruction	Type	Motor/Bank	Value
28	0 (don't care)	0 (don't care)	0 (don't care)

#### Example

*Mnemonic:* STOP

Binary Form of STOP	
Field	Value
Target address	01 <sub>h</sub>
Instruction number	1C <sub>h</sub>
Type	00 <sub>h</sub>
Motor/Bank	00 <sub>h</sub>
Value (Byte 3)	00 <sub>h</sub>
Value (Byte 2)	00 <sub>h</sub>
Value (Byte 1)	00 <sub>h</sub>
Value (Byte 0)	00 <sub>h</sub>
Checksum	1D <sub>h</sub>



### 3.7.24 SCO (Set Coordinate)

Up to 20 position values (coordinates) can be stored for every axis for use with the MVP COORD command. This command sets a coordinate to a specified value. Depending on the global parameter 84, the coordinates are only stored in RAM or also stored in the EEPROM and copied back on startup (with the default setting the coordinates are stored in RAM only).

---

**Note** Coordinate #0 is always stored in RAM only.

---

**Internal function:** the passed value is stored in the internal position array.

**Related commands:** GCO, CCO, ACO, MVP COORD.

**Mnemonic:** SCO <coordinate number>, <motor number>, <position>

Binary Representation			
Instruction	Type	Motor/Bank	Value
30	<coordinate number> 0...20	<motor number> 0	<position> $-2^{31} \dots 2^{31} - 1$

#### Example

Set coordinate #1 of motor #0 to 1000.

*Mnemonic:* SCO 1, 0, 1000

Binary Form of SCO 1, 0, 1000	
Field	Value
Target address	01 <sub>h</sub>
Instruction number	1E <sub>h</sub>
Type	01 <sub>h</sub>
Motor/Bank	00 <sub>h</sub>
Value (Byte 3)	00 <sub>h</sub>
Value (Byte 2)	00 <sub>h</sub>
Value (Byte 1)	03 <sub>h</sub>
Value (Byte 0)	E8 <sub>h</sub>
Checksum	0B <sub>h</sub>

Two special functions of this command have been introduced that make it possible to copy all coordinates or one selected coordinate to the EEPROM. These functions can be accessed using the following special forms of the SCO command:

- SCO 0, 255, 0 copies all coordinates (except coordinate number 0) from RAM to the EEPROM.
- SCO <coordinate number>, 255, 0 copies the coordinate selected by <coordinate number> to the EEPROM. The coordinate number must be a value between 1 and 20.



### 3.7.25 GCO (Get Coordinate)

Using this command previously stored coordinate can be read back. In standalone mode the requested value is copied to the accumulator register for further processing purposes such as conditional jumps. In direct mode, the value is only output in the value field of the reply, without affecting the accumulator. Depending on the global parameter 84, the coordinates are only stored in RAM or also stored in the EEPROM and copied back on startup (with the default setting the coordinates are stored in RAM only).

---

**Note** Coordinate #0 is always stored in RAM only.

---

**Internal function:** the desired value is read out of the internal coordinate array, copied to the accumulator register and – in direct mode – returned in the value field of the reply.

**Related commands:** SCO, CCO, ACO, MVP COORD.

**Mnemonic:** GCO <coordinate number>, <motor number>

Binary Representation			
Instruction	Type	Motor/Bank	Value
31	<coordinate number> 0...20	<motor number> 0	0 (don't care)

Reply in Direct Mode	
Status	Value
100 - OK	value read by this command

**Example**

Get coordinate #1 of motor #0.

*Mnemonic:* GCO 1, 0

Binary Form of GCO 1, 0	
Field	Value
Target address	01 <sub>h</sub>
Instruction number	1F <sub>h</sub>
Type	01 <sub>h</sub>
Motor/Bank	00 <sub>h</sub>
Value (Byte 3)	00 <sub>h</sub>
Value (Byte 2)	00 <sub>h</sub>
Value (Byte 1)	00 <sub>h</sub>
Value (Byte 0)	00 <sub>h</sub>
Checksum	21 <sub>h</sub>





Two special functions of this command have been introduced that make it possible to copy all coordinates or one selected coordinate from the EEPROM to the RAM.

These functions can be accessed using the following special forms of the GCO command:

- GCO 0, 255, 0 copies all coordinates (except coordinate number 0) from the EEPROM to the RAM.
- GCO <coordinate number>, 255, 0 copies the coordinate selected by <coordinate number> from the EEPROM to the RAM. The coordinate number must be a value between 1 and 20.



### 3.7.26 CCO (Capture Coordinate)

This command copies the actual position of the axis to the selected coordinate variable. Depending on the global parameter 84, the coordinates are only stored in RAM or also stored in the EEPROM and copied back on startup (with the default setting the coordinates are stored in RAM only). Please see the SCO and GCO commands on how to copy coordinates between RAM and EEPROM.

---

**Note** Coordinate #0 is always stored in RAM only.

---

**Internal function:** the actual position of the selected motor is copied to selected coordinate array entry.

**Related commands:** SCO, GCO, ACO, MVP COORD.

**Mnemonic:** CCO <coordinate number>, <motor number>

Binary Representation			
Instruction	Type	Motor/Bank	Value
32	<coordinate number> 0...20	<motor number> 0	0 (don't care)

Reply in Direct Mode	
Status	Value
100 - OK	value read by this command

#### Example

Store current position of motor #0 to coordinate array entry #3.

*Mnemonic:* CCO 3, 0

Binary Form of CCO 3, 0	
Field	Value
Target address	01 <sub>h</sub>
Instruction number	20 <sub>h</sub>
Type	01 <sub>h</sub>
Motor/Bank	00 <sub>h</sub>
Value (Byte 3)	00 <sub>h</sub>
Value (Byte 2)	00 <sub>h</sub>
Value (Byte 1)	00 <sub>h</sub>
Value (Byte 0)	00 <sub>h</sub>
Checksum	22 <sub>h</sub>



### 3.7.27 ACO (Accu to Coordinate)

With the ACO command the actual value of the accumulator is copied to a selected coordinate of the motor. Depending on the global parameter 84, the coordinates are only stored in RAM or also stored in the EEPROM and copied back on startup (with the default setting the coordinates are stored in RAM only).

---

**Note** Coordinate #0 is always stored in RAM only.

---

**Internal function:** the actual position of the selected motor is copied to selected coordinate array entry.

**Related commands:** SCO, GCO, CO, MVP COORD.

**Mnemonic:** ACO <coordinate number>, <motor number>

Binary Representation			
Instruction	Type	Motor/Bank	Value
39	<coordinate number> 0...20	<motor number> 0	0 (don't care)

Reply in Direct Mode	
Status	Value
100 - OK	don't care

#### Example

Copy the actual value of the accumulator to coordinate #1 of motor #0.

*Mnemonic:* ACO 1, 0

Binary Form of ACO 1, 0	
Field	Value
Target address	01 <sub>h</sub>
Instruction number	27 <sub>h</sub>
Type	01 <sub>h</sub>
Motor/Bank	00 <sub>h</sub>
Value (Byte 3)	00 <sub>h</sub>
Value (Byte 2)	00 <sub>h</sub>
Value (Byte 1)	00 <sub>h</sub>
Value (Byte 0)	00 <sub>h</sub>
Checksum	29 <sub>h</sub>



### 3.7.28 CALCX (Calculate using the X Register)

This instruction is very similar to CALC, but the second operand comes from the X register. The X register can be loaded with the LOAD or the SWAP type of this instruction. The result is written back to the accumulator for further processing like comparisons or data transfer. *This command is mainly intended for use in standalone mode.*

**Related commands:** CALC, COMP, JC, AAP, AGP, GAP, GGP, GIO.

**Mnemonic:** CALCX <operation>

Binary Representation			
Instruction	Type	Motor/Bank	Value
33	0 ADD – add X register to accumulator	0 (don't care)	0 (don't care)
	1 SUB – subtract X register from accumulator		
	2 MUL – multiply accumulator by X register		
	3 DIV – divide accumulator by X register		
	4 MOD – modulo divide accumulator by X register		
	5 AND – logical and accumulator with X register		
	6 OR – logical or accumulator with X register		
	7 XOR – logical exor accumulator with X register		
	8 NOT – logical invert X register		
	9 LOAD – copy accumulator to X register		
10 SWAP – swap accumulator and X register			

Reply in Direct Mode	
Status	Value
100 - OK	don't care

#### Example

Multiply accumulator and X register.

*Mnemonic:* CALCX MUL



Binary Form of CALCX MUL	
Field	Value
Target address	01 <sub>h</sub>
Instruction number	21 <sub>h</sub>
Type	02 <sub>h</sub>
Motor/Bank	00 <sub>h</sub>
Value (Byte 3)	00 <sub>h</sub>
Value (Byte 2)	00 <sub>h</sub>
Value (Byte 1)	00 <sub>h</sub>
Value (Byte 0)	00 <sub>h</sub>
Checksum	24 <sub>h</sub>



### 3.7.29 AAP (Accu to Axis Parameter)

The content of the accumulator register is transferred to the specified axis parameter. For practical usage, the accumulator has to be loaded e.g. by a preceding GAP instruction. The accumulator may have been modified by the CALC or CALCX (calculate) instruction. *This command is mainly intended for use in standalone mode.*

**Info**

For a table with parameters and values which can be used together with this command please refer to section 4.

**Related commands:** AGP, SAP, GAP, SGP, GGP, GIO, GCO, CALC, CALCX.

**Mnemonic:** AAP <parameter number>, <motor number>

Binary Representation			
Instruction	Type	Motor/Bank	Value
34	see chapter 4	0	<value>

Reply in Direct Mode	
Status	Value
100 - OK	don't care

**Example**

Position motor #0 by a potentiometer connected to analog input #0:

```

1 Start:
    GIO 0,1      //get value of analog input line 0
3    CALC MUL , 4 //multiply by 4
    AAP 0,0     //transfer result to target position of motor 0
5    JA Start   //jump back to start
    
```

Binary Form of AAP 0, 0	
Field	Value
Target address	01 <sub>h</sub>
Instruction number	22 <sub>h</sub>
Type	00 <sub>h</sub>
Motor/Bank	00 <sub>h</sub>
Value (Byte 3)	00 <sub>h</sub>
Value (Byte 2)	00 <sub>h</sub>
Value (Byte 1)	00 <sub>h</sub>
Value (Byte 0)	00 <sub>h</sub>
Checksum	23 <sub>h</sub>



### 3.7.30 AGP (Accu to Global Parameter)

The content of the accumulator register is transferred to the specified global parameter. For practical usage, the accumulator has to be loaded e.g. by a preceding GAP instruction. The accumulator may have been modified by the CALC or CALCX (calculate) instruction. *This command is mainly intended for use in standalone mode.*

**Info**

For an overview of parameter and bank indices that can be used with this command please see section 5.

**Related commands:** AAP, SGP, GGP, SAP, GAP, GIO.

**Mnemonic:** AGP <parameter number>, <bank number>

Binary Representation			
Instruction	Type	Motor/Bank	Value
35	<parameter number>	0/2/3 <bank number>	0 (don't care)

Reply in Direct Mode	
Status	Value
100 - OK	don't care

**Example**

Copy accumulator to user variable #42:

*Mnemonic:* AGP 42, 2

Binary Form of AGP 42, 2	
Field	Value
Target address	01 <sub>h</sub>
Instruction number	23 <sub>h</sub>
Type	2A <sub>h</sub>
Motor/Bank	02 <sub>h</sub>
Value (Byte 3)	00 <sub>h</sub>
Value (Byte 2)	00 <sub>h</sub>
Value (Byte 1)	00 <sub>h</sub>
Value (Byte 0)	00 <sub>h</sub>
Checksum	50 <sub>h</sub>



### 3.7.31 CLE (Clear Error Flags)

This command clears the internal error flags. It is mainly intended for use in standalone mode. The following error flags can be cleared by this command (determined by the <flag> parameter):

- ALL: clear all error flags.
- ETO: clear the timeout flag.
- EAL: clear the external alarm flag.
- EDV: clear the deviation flag.
- EPO: clear the position error flag.

**Related commands:** JC, WAIT.

**Mnemonic:** CLE <flags>

Binary Representation			
Instruction	Type	Motor/Bank	Value
36	0 ALL – all flags 1 – (ETO) timeout flag 2 – (EAL) alarm flag 3 – (EDV) deviation flag 4 – (EPO) position flag 5 – (ESD) shutdown flag	0 (don't care)	0 (don't care)

Reply in Direct Mode	
Status	Value
100 - OK	don't care

#### Example

Reset the timeout flag.

*Mnemonic:* CLE ETO





Binary Form of CLE ETO	
Field	Value
Target address	01 <sub>h</sub>
Instruction number	24 <sub>h</sub>
Type	01 <sub>h</sub>
Motor/Bank	00 <sub>h</sub>
Value (Byte 3)	00 <sub>h</sub>
Value (Byte 2)	00 <sub>h</sub>
Value (Byte 1)	00 <sub>h</sub>
Value (Byte 0)	00 <sub>h</sub>
Checksum	26 <sub>h</sub>



### 3.7.32 EI (Enable Interrupt)

The EI command enables an interrupt. It needs the interrupt number as parameter. Interrupt number 255 globally enables interrupt processing. *This command is mainly intended for use in standalone mode.*

**Info**

Please see table 12 for a list of interrupts that can be used on the TMCM-1021 module.

**Related commands:** DI, VECT, RETI.

**Mnemonic:** EI <interrupt number>

Binary Representation			
Instruction	Type	Motor/Bank	Value
25	<interrupt number>	0 (don't care)	0 (don't care)

Reply in Direct Mode	
Status	Value
100 - OK	don't care

**Example**

Globally enable interrupt processing:

*Mnemonic:* EI 255

Binary form of EI 255	
Field	Value
Target address	01 <sub>h</sub>
Instruction number	19 <sub>h</sub>
Type	FF <sub>h</sub>
Motor/Bank	00 <sub>h</sub>
Value (Byte 3)	00 <sub>h</sub>
Value (Byte 2)	00 <sub>h</sub>
Value (Byte 1)	00 <sub>h</sub>
Value (Byte 0)	00 <sub>h</sub>
Checksum	19 <sub>h</sub>



### 3.7.33 DI (Disable Interrupt)

The DI command disables an interrupt. It needs the interrupt number as parameter. Interrupt number 255 globally disables interrupt processing. *This command is mainly intended for use in standalone mode.*

**Info**

Please see table 12 for a list of interrupts that can be used on the TMCM-1021 module.

**Related commands:** EI, VECT, RETI.

**Mnemonic:** DI <interrupt number>

Binary Representation			
Instruction	Type	Motor/Bank	Value
26	<interrupt number>	0 (don't care)	0 (don't care)

Reply in Direct Mode	
Status	Value
100 - OK	don't care

**Example**

Globally disable interrupt processing:

*Mnemonic:* DI 255

Binary Form of DI 255	
Field	Value
Target address	01 <sub>h</sub>
Instruction number	1A <sub>h</sub>
Type	FF <sub>h</sub>
Motor/Bank	00 <sub>h</sub>
Value (Byte 3)	00 <sub>h</sub>
Value (Byte 2)	00 <sub>h</sub>
Value (Byte 1)	00 <sub>h</sub>
Value (Byte 0)	00 <sub>h</sub>
Checksum	1A <sub>h</sub>



### 3.7.34 VECT (Define Interrupt Vector)

The VECT command defines an interrupt vector. It takes an interrupt number and a label (just like with JA, JC and CSUB commands) as parameters. The label must be the entry point of the interrupt handling routine for this interrupts. Interrupt vectors can also be re-defined. *This command is intended for use in standalone mode only.*

**Info**

Please see table 12 for a list of interrupts that can be used on the TMCM-1021 module.

**Related commands:** EI, DI, RETI.

**Mnemonic:** VECT <interrupt number>, <label>

Binary Representation			
Instruction	Type	Motor/Bank	Value
37	<interrupt number>	0 (don't care)	<label>

Reply in Direct Mode	
Status	Value
100 - OK	don't care

**Example**

Define interrupt vector for timer #0 interrupt:

```

1   VECT 0, Timer0Irq
   ...
3 Loop:
   ...
5   JA Loop
   ...
7 Timer0Irq:
   SIO 0, 2, 1
9   RETI
    
```



Binary form of VECT (assuming label is at 50)	
Field	Value
Target address	01 <sub>h</sub>
Instruction number	25 <sub>h</sub>
Type	FF <sub>h</sub>
Motor/Bank	00 <sub>h</sub>
Value (Byte 3)	00 <sub>h</sub>
Value (Byte 2)	00 <sub>h</sub>
Value (Byte 1)	00 <sub>h</sub>
Value (Byte 0)	32 <sub>h</sub>
Checksum	58 <sub>h</sub>



### 3.7.35 RETI (Return from Interrupt)

This command terminates an interrupt handling routine. Normal program flow will be continued then. *This command is intended for use in standalone mode only.*

An interrupt routine must always end with a RETI command. Do not allow the normal program flow to run into an interrupt routine.

**Internal function:** The saved registers (accumulator, X registers, flags and program counter) are copied back so that normal program flow will continue.

**Related commands:** EI, DI, VECT.

**Mnemonic:** RETI

Binary Representation			
Instruction	Type	Motor/Bank	Value
38	<interrupt number>	0 (don't care)	0 (don't care)

Reply in Direct Mode	
Status	Value
100 - OK	don't care

#### Example

Return from an interrupt handling routine.

*Mnemonic:* RETI

Binary Form of RETI	
Field	Value
Target address	01 <sub>h</sub>
Instruction number	26 <sub>h</sub>
Type	FF <sub>h</sub>
Motor/Bank	00 <sub>h</sub>
Value (Byte 3)	00 <sub>h</sub>
Value (Byte 2)	00 <sub>h</sub>
Value (Byte 1)	00 <sub>h</sub>
Value (Byte 0)	00 <sub>h</sub>
Checksum	27 <sub>h</sub>



### 3.7.36 Customer specific Command Extensions (UF0... UF7 – User Functions)

These commands are used for customer specific extensions of TMCL. They will be implemented in C by Trinamic. Please contact the sales department of Trinamic Motion Control GmbH & Co KG if you need a customized TMCL firmware.

**Related commands:** none.

**Mnemonic:** UF0... UF7

Binary Representation			
Instruction	Type	Motor/Bank	Value
64... 71	<user defined>	0 <user defined>	0 <user defined>

Reply in Direct Mode	
Status	Value
100 - OK	user defined



### 3.7.37 Request Target Position reached Event

This command is the only exception to the TMCL protocol, as it sends two replies: One immediately after the command has been executed (like all other commands also), and one additional reply that will be sent when the motor has reached its target position. *This instruction can only be used in direct mode (in standalone mode, it is covered by the WAIT command) and hence does not have a mnemonic.*

**Internal function:** send an additional reply when a motor has reached its target position.

**Related commands:** none.

Binary Representation			
Instruction	Type	Motor/Bank	Value
138	0/1	0 (don't care)	always 1

With command 138 the value field is a bit vector. It shows for which motors one would like to have a position reached message. The value field contains a bit mask where every bit stands for one motor. For one motor modules like the TMCM-1021 it only makes sense to have bit 0 set. So, always set this parameter to 1 with the TMCM-1021 module. With the type field set to 0, only for the next MVP command that follows this command a position reached message will be generated. With type set to 1 a position reached message will be generated for every MVP command that follows this command. It is recommended to use the latter option.

#### Example

Get a target position reached message for each MVP command that follows.

Binary Form for this example	
Field	Value
Target address	01 <sub>h</sub>
Instruction number	8A <sub>h</sub>
Type	01 <sub>h</sub>
Motor/Bank	00 <sub>h</sub>
Value (Byte 3)	00 <sub>h</sub>
Value (Byte 2)	00 <sub>h</sub>
Value (Byte 1)	00 <sub>h</sub>
Value (Byte 0)	01 <sub>h</sub>
Checksum	8D <sub>h</sub>





Reply in Direct Mode	
Field	Value
Target address	01 <sub>h</sub>
Host address	02 <sub>h</sub>
Status	64 <sub>h</sub> (100)
Command	8A <sub>h</sub> (138)
Value (Byte 3)	00 <sub>h</sub>
Value (Byte 2)	00 <sub>h</sub>
Value (Byte 1)	00 <sub>h</sub>
Value (Byte 0)	Motor bit mask
Checksum	depends also on motor bit mask

Additional Reply after Motor has reached Target Position	
Field	Value
Target address	01 <sub>h</sub>
Host address	02 <sub>h</sub>
Status	80 <sub>h</sub> (128)
Command	8A <sub>h</sub> (138)
Value (Byte 3)	00 <sub>h</sub>
Value (Byte 2)	00 <sub>h</sub>
Value (Byte 1)	00 <sub>h</sub>
Value (Byte 0)	Motor bit mask
Checksum	depends also on motor bit mask



### 3.7.38 TMCL Control Commands

There is a set of TMCL commands which are called TMCL control commands. These commands can only be used in direct mode and not in a standalone program. For this reason they only have opcodes, but no mnemonics. Most of these commands are only used by the TMCL-IDE (in order to implement e.g. the debugging functions in the TMCL creator). Some of them are also interesting for use in custom host applications, for example to start a TMCL routine on a module, when combining direct mode and standalone mode (please see also section 8.6. The following table lists all TMCL control commands.

The motor/bank parameter is not used by any of these functions and thus is not listed in the table. It should always be set to 0 with these commands.

TMCL Control Commands			
Instruction	Description	Type	Value
128 – stop application	stop a running TMCL application	0 (don't care)	0 (don't care)
129 – run application	start or continue TMCL program execution	0 – from current address	0 (don't care)
		1 – from specific address	starting address
130 – step application	execute only the next TMCL command	0 (don't care)	0 (don't care)
131 – reset application	Stop a running TMCL program. Reset program counter and stack pointer to zero. Reset accumulator and X register to zero. Reset all flags.	0 (don't care)	0 (don't care)
132 – enter download mode	All following commands (except control commands) are not executed but stored in the TMCL memory.	0 (don't care)	start address for download
133 – exit download mode	End the download mode. All following commands are executed normally again.	0 (don't care)	0 (don't care)
134 – read program memory	Return contents of the specified program memory location (special reply format).	0 (don't care)	address of memory location



Instruction	Description	Type	Value
135 – get application status	Return information about the current status, depending on the type field.	0 - return mode, wait flag, memory pointer 1 - return mode, wait flag, program counter 2 - return accumulator 3 - return X register	0 (don't care)
136 – get firmware version	Return firmware version in string format (special reply) or binary format).	0 - string format 1 - binary format	0 (don't care)
137 – restore factory settings	Reset all settings in the EEPROM to their factory defaults. This command does not send a reply.	0 (don't care)	set to 1234
255 – software reset	Restart the CPU of the module (like a power cycle). The reply of this command might not always get through.	0 (don't care)	set to 1234

*Table 13: TMCL Control Commands*

Especially the commands 128, 129, 131, 136 and 255 are interesting for use in custom host applications. The other control commands are mainly being used by the TMCL-IDE.



## 4 Axis Parameters

Most motor controller features of the TMCM-1021 module are controlled by axis parameters. Axis parameters can be modified or read using SAP, GAP and AAP commands. Some axis parameters can also be stored to or restored from the EEPROM using STAP and RSAP commands. This chapter describes all axis parameters that can be used on the TMCM-1021 module.

Meaning of the Letters in the Access Column		
Access type	Command	Description
R	GAP	Parameter readable
W	SAP, AAP	Parameter writable
E	STAP, RSAP	Parameter can be stored in the EEPROM

Table 14: Meaning of the Letters in the Access Column

All Axis Parameters of the TMCM-1021 Module				
Number	Axis Parameter	Description	Range [Units]	Access
0	Target position	The desired target position in position mode	-2147483648 ... 2147483647 [μsteps]	RW
1	Actual position	The actual position of the motor. Stop the motor before overwriting it. Should normally only be overwritten for reference position setting.	-2147483648 ... 2147483647 [μsteps]	RW
2	Target speed	The desired speed in velocity mode. Not valid in position mode.	-2147483648 ... 2147483647 [pps]	RW
3	Actual speed	The actual speed of the motor.	-2147483648 ... 2147483647 [pps]	RW
4	Maximum positioning speed	The maximum speed used for positioning ramps.	1... 2147483647 [pps]	RWE
5	Maximum acceleration	Maximum acceleration during ramp-up.	1... 2147483647 [pps <sup>2</sup> ]	RWE



Number	Axis Parameter	Description	Range [Units]	Access																																								
6	Maximum current	<p>Motor current used when motor is running. The maximum value is 255 which means 100% of the maximum current of the module.</p> <p>The current can be adjusted in 32 steps:</p> <table border="1"> <tr> <td>0...7</td> <td>79...87</td> <td>160...167</td> <td>240...247</td> </tr> <tr> <td>8...15</td> <td>88...95</td> <td>168...175</td> <td>248...255</td> </tr> <tr> <td>16...23</td> <td>96...103</td> <td>176...183</td> <td></td> </tr> <tr> <td>24...31</td> <td>104...111</td> <td>184...191</td> <td></td> </tr> <tr> <td>32...39</td> <td>112...119</td> <td>192...199</td> <td></td> </tr> <tr> <td>40...47</td> <td>120...127</td> <td>200...207</td> <td></td> </tr> <tr> <td>48...55</td> <td>128...135</td> <td>208...215</td> <td></td> </tr> <tr> <td>56...63</td> <td>136...143</td> <td>216...223</td> <td></td> </tr> <tr> <td>64...71</td> <td>144...151</td> <td>224...231</td> <td></td> </tr> <tr> <td>72...79</td> <td>152...159</td> <td>232...239</td> <td></td> </tr> </table> <p><i>The most important setting, as too high values can cause motor damage.</i></p>	0...7	79...87	160...167	240...247	8...15	88...95	168...175	248...255	16...23	96...103	176...183		24...31	104...111	184...191		32...39	112...119	192...199		40...47	120...127	200...207		48...55	128...135	208...215		56...63	136...143	216...223		64...71	144...151	224...231		72...79	152...159	232...239		0...255	RW
0...7	79...87	160...167	240...247																																									
8...15	88...95	168...175	248...255																																									
16...23	96...103	176...183																																										
24...31	104...111	184...191																																										
32...39	112...119	192...199																																										
40...47	120...127	200...207																																										
48...55	128...135	208...215																																										
56...63	136...143	216...223																																										
64...71	144...151	224...231																																										
72...79	152...159	232...239																																										
7	Standby current	The current used when the motor is not running. The maximum value is 255 which means 100% of the maximum current of the module. This value should be as low as possible so that the motor can cool down when it is not moving. Please see also parameter 214.	0...255	RW																																								
8	Position reached flag	This flag is always set when target position and actual position are equal.	0/1	R																																								
9	Home switch state	The logical state of the home switch input.	0/1	R																																								
10	Right limit switch state	The logical state of the right limit switch input.	0/1	R																																								
11	Left limit switch state	The logical state of the left limit switch input.	0/1	R																																								
12	Right limit switch disable	0 - switch activated 1 - switch deactivated	0/1	RWE																																								
13	Left limit switch disable	0 - switch activated 1 - switch deactivated	0/1	RWE																																								



Number	Axis Parameter	Description	Range [Units]	Access																		
128	Ramp mode	Automatically set when using ROR, ROL, MST and MVP. 0: Position mode. Steps are generated, when the parameters actual position and target position differ. Trapezoidal speed ramps are provided. 1: Velocity mode. The motor will run continuously and the speed will be changed using the maximum acceleration parameter when the target speed gets changed.	0/1	RW																		
130	Minimum speed	Ramp generation for acceleration and deceleration begins and ends with this start and stop value. Default: 0.	0... 2147483647 [pps]	RWE																		
140	Microstep resolution	Microstep resolutions per full step: <table border="1" style="width: 100%; border-collapse: collapse;"> <tr><td style="width: 20px; text-align: center;">0</td><td>fullstep</td></tr> <tr><td style="text-align: center;">1</td><td>halfstep</td></tr> <tr><td style="text-align: center;">2</td><td>4 microsteps</td></tr> <tr><td style="text-align: center;">3</td><td>8 microsteps</td></tr> <tr><td style="text-align: center;">4</td><td>16 microsteps</td></tr> <tr><td style="text-align: center;">5</td><td>32 microsteps</td></tr> <tr><td style="text-align: center;">6</td><td>64 microsteps</td></tr> <tr><td style="text-align: center;">7</td><td>128 microsteps</td></tr> <tr><td style="text-align: center;">8</td><td>256 microsteps</td></tr> </table>	0	fullstep	1	halfstep	2	4 microsteps	3	8 microsteps	4	16 microsteps	5	32 microsteps	6	64 microsteps	7	128 microsteps	8	256 microsteps	0...8	RW
0	fullstep																					
1	halfstep																					
2	4 microsteps																					
3	8 microsteps																					
4	16 microsteps																					
5	32 microsteps																					
6	64 microsteps																					
7	128 microsteps																					
8	256 microsteps																					
160	Step interpolation enable	Step interpolation is supported with 16 microstep setting only. With this option activated, each microstepstep will internally be executed as 16 1/256 microsteps. This causes the motor to run as smooth as with 256 microsteps resolution. <b>This only works for step/direction mode.</b> 0 - step interpolation off 1 - step interpolation on	0/1	RW																		
161	Double step enable	With this option turned on, each microstep will be executed twice. <b>This option only works for step/direction mode.</b> Every edge of the step signal then causes a microstep to be executed. 0 - double step off 1 - double step on	0/1	RW																		
162	Chopper blank time	Selects the comparator blank time. This time needs to safely cover the switching event and the duration of the ringing on the sense resistor. Normally leave at the default value.	0...3	RW																		



Number	Axis Parameter	Description	Range [Units]	Access
163	Constant TOff mode	Selection of the chopper mode: 0 – spread cycle 1 – classic constant off time	0/1	RW
164	Disable fast decay comperator	See parameter 163. For "classic const. off time" setting this parameter to "1" will disable current comparator usage for termination of fast decay cycle.	0/1	RW
165	Chopper hysteresis end / fast decay time	See parameter 163. For "spread cycle" chopper mode this parameter will set / return the hysteresis end setting (hysteresis end value after a number of decrements). For "classic const. off time" chopper mode this parameter will set / return the fast decay time.	0...15	RW
166	Chopper hysteresis start / sine wave offset	See parameter 163. For "spread cycle" chopper mode this parameter will set / return the Hysteresis start setting (please note that this value is an offset to the hysteresis end value). For "classic const. off time" chopper mode this parameter will set / return the sine wave offset.	0...8	RW
167	Chopper off time (TOff)	The off time setting controls the minimum chopper frequency. An off time within the range of 5µs to 20µs will fit.  Off time setting for constant t Off chopper: $N_{CLK} = 12 + 32 * tOFF$ (Minimum is 64 clocks) Setting this parameter to zero completely disables all driver transistors and the motor can free-wheel.	0...15	RW
168	smartEnergy current minimum (SEIMIN)	Sets the lower motor current limit for coolStep operation by scaling the maximum current (see axis parameter 6) value. Minimum motor current: 0 - $\frac{1}{2}$ of CS 1 - $\frac{1}{4}$ of CS	0/1	RW
169	smartEnergy current down step	Sets the number of stallGuard2 readings above the upper threshold necessary for each current decrement of the motor current. Number of stallGuard2 measurements per decrement: Scaling: 0...3: 32, 8, 2, 1 0: slow decrement 3: fast decrement	0...3	RW
170	smartEnergy hysteresis	Sets the distance between the lower and the upper threshold for stallGuard2 reading. Above the upper threshold the motor current becomes decreased. Hysteresis: $([AP172] + 1) * 32$ Upper stallGuard threshold: $([AP172] + [AP170] + 1) * 32$	0...15	RW



Number	Axis Parameter	Description	Range [Units]	Access
171	smart Energy current up step	Sets the current increment step. The current becomes incremented for each measured stallGuard2 value below the lower threshold (see smartEnergy hysteresis start). Current increment step size: Scaling: 0...3: 1, 2, 4, 8 0: slow increment 3: fast increment / fast reaction to rising load	0...3	RW
172	smart Energy hysteresis start	The lower threshold for the stallGuard2 value (see smart Energy current up step).	0..15	RW
173	stallGuard2 filter enable	Enables the stallGuard2 filter for more precision of the measurement. If set, reduces the measurement frequency to one measurement per four fullsteps. In most cases it is expedient to set the filtered mode before using coolStep. Use the standard mode for step loss detection. 0 - standard mode 1 - filtered mode	0/1	RW
174	stallGuard2 threshold	This signed value controls stallGuard2 threshold level for stall output and sets the optimum measurement range for readout. A lower value gives a higher sensitivity. Zero is the starting value. A higher value makes stallGuard2 less sensitive and requires more torque to indicate a stall.	-64...+63	RW
175	Slope control high side	Determines the slope of the motor driver outputs. Leave at default value unless differently recommended by Trinamic customer support. 0 - lowest slope 3 - fastest slope	0...3	RW
176	Slope control low side	Determines the slope of the motor driver outputs. Leave at default value unless differently recommended by Trinamic customer support. 0 - lowest slope 3 - fastest slope	0...3	RW
177	Short protection disable	Switches short to ground protection of the motor driver on or off. Leave at default value unless differently recommended by Trinamic customer support. 0 - Short to GND protection on 1 - Short to GND protection off	0/1	RW





Number	Axis Parameter	Description	Range [Units]	Access
178	Short detection timer	Timer value for short circuit protection of the motor driver. Leave at default value unless differently recommended by Trinamic customer support. 0 - 3.2µs 1 - 1.6µs 2 - 1.2µs 3 - 0.8µs	0...3	RW
179	Vsense	Sense resistor voltage based current scaling. 0 - High current range: up to 1.4A RMS / 2A peak. 1 - Low current range: up to 0.7A RMS / 1A peak. Default value: 1. Please note: this parameter cannot be changed for hardware V1.2! The high current range is available for hardware V1.4 or higher only!	0/1	RW
180	smartEnergy actual current	This status value provides the actual motor current setting as controlled by coolStep. The value goes up to the CS value and down to the portion of CS as specified by SEIMIN. Actual motor current scaling factor: 0...31: 1/32, 2/32, ... 32/32	0...31	R
181	Stop on stall	Below this speed motor will not be stopped. Above this speed motor will stop in case stall-Guard2 load value reaches zero.	0... 2147483647 [pps]	RW
182	smartEnergy threshold speed	Above this speed coolStep becomes enabled.	0... 2147483647 [pps]	RW
183	smartEnergy slow run current	Sets the motor current which is used below the threshold speed. A value of 255 means 100% of the maximum current of the module.	0...255	RW
184	Random TOff mode	0 - Chopper off time is fixed 1 - Chopper off time is random	0/1	RW



Number	Axis Parameter	Description	Range [Units]	Access																
193	Reference search mode	<table border="1"> <tr> <td>1</td> <td>Search left stop switch only.</td> </tr> <tr> <td>2</td> <td>Search right stop switch, then search left stop switch.</td> </tr> <tr> <td>3</td> <td>Search right stop switch, then search left stop switch from both sides.</td> </tr> <tr> <td>4</td> <td>Search left stop switch from both sides.</td> </tr> <tr> <td>5</td> <td>Search home switch in negative direction, reverse the direction when left stop switch reached.</td> </tr> <tr> <td>6</td> <td>Search home switch in positive direction, reverse the direction when right stop switch reached.</td> </tr> <tr> <td>7</td> <td>Search home switch in positive direction, ignore end switches.</td> </tr> <tr> <td>8</td> <td>Search home switch in negative direction, ignore end switches.</td> </tr> </table> <p>Additional functions:</p> <ul style="list-style-type: none"> <li>• Add 128 to a mode value for inverting the home switch (can be used with mode 5...8).</li> <li>• Add 64 to a mode for searching the right instead of the left reference switch (can be used with mode 1...4).</li> </ul>	1	Search left stop switch only.	2	Search right stop switch, then search left stop switch.	3	Search right stop switch, then search left stop switch from both sides.	4	Search left stop switch from both sides.	5	Search home switch in negative direction, reverse the direction when left stop switch reached.	6	Search home switch in positive direction, reverse the direction when right stop switch reached.	7	Search home switch in positive direction, ignore end switches.	8	Search home switch in negative direction, ignore end switches.	1...8	RW
1	Search left stop switch only.																			
2	Search right stop switch, then search left stop switch.																			
3	Search right stop switch, then search left stop switch from both sides.																			
4	Search left stop switch from both sides.																			
5	Search home switch in negative direction, reverse the direction when left stop switch reached.																			
6	Search home switch in positive direction, reverse the direction when right stop switch reached.																			
7	Search home switch in positive direction, ignore end switches.																			
8	Search home switch in negative direction, ignore end switches.																			
194	Reference search speed	This value specifies the speed for roughly searching the reference switch.	0...2147483647 [pps]	RW																
195	Reference switch speed	This parameter specifies the speed for searching the switching point. It should be slower than parameter 194.	0...2147483647 [pps]	RW																
196	End switch distance	This parameter provides the distance between the end switches after executing the RFS command (with reference search mode 2 or 3).	-2147483648...2147483647 [μsteps]	R																
197	Last reference position	This parameter contains the last position value before the position counter is set to zero during reference search.	-2147483648...2147483647 [μsteps]	R																
200	Boost current	Current used for acceleration and deceleration phases. If set to 0 the same current as set by axis parameter #6 will be used. Same scaling as with axis parameter #6.	0...255	RW																



Number	Axis Parameter	Description	Range [Units]	Access																
204	Freewheeling delay	Time after which the power to the motor will be cut when its velocity has reached zero (a value of 0 (default setting) means never).	0...65535 [10ms]	RWE																
206	Actual load value	Readout of the actual load value used for stall detection (stallGuard2).	0...1023	R																
207	Extended error flags	A combination of the following values: <table border="1" style="margin-left: 20px;"> <tr> <td>1</td> <td>stallGuard error</td> </tr> <tr> <td>2</td> <td>deviation error</td> </tr> </table> These error flags are cleared automatically when this parameter has been read out or when a motion command has been executed.	1	stallGuard error	2	deviation error	0...3	R												
1	stallGuard error																			
2	deviation error																			
208	TMC262 error flags	A combination of the following values: <table border="1" style="margin-left: 20px;"> <tr> <td>Bit 0</td> <td>stallGuard2 status (1: threshold reached)</td> </tr> <tr> <td>Bit 1</td> <td>Overtemperature (1: driver is shut down due to overtemperature)</td> </tr> <tr> <td>Bit 2</td> <td>Overtemperature pre-warning (1: temperature threshold is exceeded)</td> </tr> <tr> <td>Bit 3</td> <td>Short to ground A (1: short condition detected, driver currently shut down)</td> </tr> <tr> <td>Bit 4</td> <td>Short to ground B (1: short condition detected, driver currently shut down)</td> </tr> <tr> <td>Bit 5</td> <td>Open load A (1: no chopper event has happened during the last period with constant coil polarity)</td> </tr> <tr> <td>Bit 6</td> <td>Open load B (1: no chopper event has happened during the last period with constant coil polarity)</td> </tr> <tr> <td>Bit 7</td> <td>Stand still (1: no step impulse occurred on the step input during the last 2<sup>20</sup> clock cycles)</td> </tr> </table> Please also refer to the TMC262 Datasheet for more information.	Bit 0	stallGuard2 status (1: threshold reached)	Bit 1	Overtemperature (1: driver is shut down due to overtemperature)	Bit 2	Overtemperature pre-warning (1: temperature threshold is exceeded)	Bit 3	Short to ground A (1: short condition detected, driver currently shut down)	Bit 4	Short to ground B (1: short condition detected, driver currently shut down)	Bit 5	Open load A (1: no chopper event has happened during the last period with constant coil polarity)	Bit 6	Open load B (1: no chopper event has happened during the last period with constant coil polarity)	Bit 7	Stand still (1: no step impulse occurred on the step input during the last 2 <sup>20</sup> clock cycles)	0...255	R
Bit 0	stallGuard2 status (1: threshold reached)																			
Bit 1	Overtemperature (1: driver is shut down due to overtemperature)																			
Bit 2	Overtemperature pre-warning (1: temperature threshold is exceeded)																			
Bit 3	Short to ground A (1: short condition detected, driver currently shut down)																			
Bit 4	Short to ground B (1: short condition detected, driver currently shut down)																			
Bit 5	Open load A (1: no chopper event has happened during the last period with constant coil polarity)																			
Bit 6	Open load B (1: no chopper event has happened during the last period with constant coil polarity)																			
Bit 7	Stand still (1: no step impulse occurred on the step input during the last 2 <sup>20</sup> clock cycles)																			
209	Encoder position	Encoder counter value.	-2147483648 ...2147483647 [μsteps]	RW																
210	Encoder prescaler	Prescaler for the encoder. Please see section <a href="#">6.2</a> .	See section <a href="#">6.2</a>	RW																
212	Maximum encoder deviation	When the actual position (parameter #1) and the encoder position (parameter #209) differ more than set here the motor will be stopped. This function is switched off when the maximum deviation is set to zero.	0 ...2147483647 [encoder steps]	RW																



Number	Axis Parameter	Description	Range [Units]	Access												
214	Power down delay	Standstill period before the motor current will be switched to standby current. The default value is 200 which means 2000ms.	1... 65535 [10ms]	RWE												
215	Absolute resolver value	Absolute position of the internal sensOstep encoder. The absolute position is within one motor rotation.	0... 1023	R												
254	Step/direction mode	<table border="1"> <tr> <td>0</td> <td>Normal mode. Step/dir mode off.</td> </tr> <tr> <td>1</td> <td>Use of the ENABLE inputs on step/dir connector to switch between hold current and run current (no automatic switching).</td> </tr> <tr> <td>2</td> <td>Automatic switching between hold and run current: after the first step pulse the module automatically switches over to run current, and a configurable time after the last step pulse the module automatically switches back to hold current. The ENABLE inputs on the step/dir connector do not have any functionality.</td> </tr> <tr> <td>3</td> <td>Always use run current, never switch to hold current. The ENABLE inputs on the step/dir connector do not have any functionality.</td> </tr> <tr> <td>4</td> <td>Automatic current switching like (2), but the ENABLE inputs are used to switch the driver stages completely off or on.</td> </tr> <tr> <td>5</td> <td>Always use run current like (3), but the ENABLE pins are used to switch the driver stages completely off or on.</td> </tr> </table>	0	Normal mode. Step/dir mode off.	1	Use of the ENABLE inputs on step/dir connector to switch between hold current and run current (no automatic switching).	2	Automatic switching between hold and run current: after the first step pulse the module automatically switches over to run current, and a configurable time after the last step pulse the module automatically switches back to hold current. The ENABLE inputs on the step/dir connector do not have any functionality.	3	Always use run current, never switch to hold current. The ENABLE inputs on the step/dir connector do not have any functionality.	4	Automatic current switching like (2), but the ENABLE inputs are used to switch the driver stages completely off or on.	5	Always use run current like (3), but the ENABLE pins are used to switch the driver stages completely off or on.	0... 5	RWE
0	Normal mode. Step/dir mode off.															
1	Use of the ENABLE inputs on step/dir connector to switch between hold current and run current (no automatic switching).															
2	Automatic switching between hold and run current: after the first step pulse the module automatically switches over to run current, and a configurable time after the last step pulse the module automatically switches back to hold current. The ENABLE inputs on the step/dir connector do not have any functionality.															
3	Always use run current, never switch to hold current. The ENABLE inputs on the step/dir connector do not have any functionality.															
4	Automatic current switching like (2), but the ENABLE inputs are used to switch the driver stages completely off or on.															
5	Always use run current like (3), but the ENABLE pins are used to switch the driver stages completely off or on.															

Table 15: All Axis Parameters of the TMCM-1021 Module



## 5 Global Parameters

The following sections describe all global parameters that can be used with the SGP, GGP, AGP, STGP and RSGP commands. Global parameters are grouped into banks:

- Bank 0: Global configuration of the module.
- Bank 1: Not used.
- Bank 2: TMCL user variables.
- Bank 3: TMCL interrupt configuration.

### 5.1 Bank 0

Parameters with numbers from 64 on configure all settings that affect the overall behaviour of a module. These are things like the serial address, the RS485 baud rate or the CAN bit rate (where appropriate). Change these parameters to meet your needs. The best and easiest way to do this is to use the appropriate functions of the TMCL-IDE. The parameters with numbers between 64 and 128 are automatically stored in the EEPROM.

---

#### Note

- An SGP command on such a parameter will always store it permanently and no extra STGP command is needed.
  - Take care when changing these parameters, and use the appropriate functions of the TMCL-IDE to do it in an interactive way.
  - Some configurations of the interface (for example baud rates that are not supported by the PC) may lead to the fact that the module cannot be reached any more. In such a case please see the TMCM-1021 Hardware Manual on how to reset all parameters to factory default settings.
  - Some settings (especially interface bit rate settings) do not take effect immediately. For those settings, power cycle the module after changing them to make the changes take effect.
- 

There are different parameter access types, like read only or read/write. Table 16 shows the different parameter access types used in the global parameter tables.

Meaning of the Letters in the Access Column		
Access type	Command	Description
R	GGP	Parameter readable
W	SGP, AGP	Parameter writable
E	STGP, RSGP	Parameter can be stored in the EEPROM
A	SGP	Automatically stored in the EEPROM

Table 16: Meaning of the Letters in the Access Column



All Global Parameters of the TMCM-1021 Module in Bank 0						
Number	Global Parameter	Description			Range [Units]	Access
65	RS485 baud rate	0	9600	Default	0...8	RWA
		1	14400			
		2	19200			
		3	28800			
		4	38400			
		5	57600			
		6	76800			
		7	115200			
		8	230400			
66	Serial address	Module (target) address for RS485.			1...255	RWA
67	ASCII Mode	Configure the TMCL ASCII interface:			0...63	RWA
		Bit 0	0 - start up in binary (normal) mode 1 - start up in ASCII mode			
68	Serial heartbeat	Serial heartbeat for RS485 interface. If this time limit is up and no further command is received by the module the motor will be stopped. Setting this parameter to 0 (default) turns off the serial heartbeat function.			0...65535	RWA
		Bits 4 & 5	00 - Echo back each character 01 - Echo back complete command 10 - Do not send echo, only send command reply			
75	Telegram pause time	Pause time before the reply via RS485 is sent. For use with older RS485 interfaces it is often necessary to set this parameter to 15 or more (e.g. RS485 adapters controlled by the RTS pin). For CAN interface this parameter has no effect!			0...255	RWA
76	Serial host address	Host address used in the reply telegrams sent back via RS485.			0...255	RWA
77	Auto start mode	0 - Do not start TMCL application after power up (default). 1 - Start TMCL application automatically after power up.			0/1	RWA
79	End switch polarity	0 - normal polarity 1 - reverse polarity			0/1	RWA



Number	Global Parameter	Description	Range [Units]	Access
81	TMCL code protection	Protect a TMCL program against disassembling or overwriting. 0 - no protection 1 - protection against disassembling 2 - protection against overwriting 3 - protection against disassembling and overwriting <b>When switching off the protection against disassembling (changing this parameter from 1 or 3 to 0 or 2, the program will be erased first!</b>	0/1/2/3	RWA
84	Coordinate storage	0 - coordinates are stored in RAM only (but can be copied explicitly between RAM and EEPROM) 1 - coordinates are always also stored in the EEPROM	0/1	RWA
85	Do not restore user variables	Determines if TMCL user variables are to be restored from the EEPROM automatically on startup. 0 - user variables are restored (default) 1 - user variables are not restored	0/1	RWA
87	Serial secondary address	Second module (target) address for RS485. Setting this parameter to 0 switches off the secondary address.	0...255	RWA
90	Reverse shaft	Reverse motor and encoder direction. 0 - normal direction (default) 1 - reverse direction Reversing the motor direction only works for normal mode, not for step/direction mode.	0/1	RWA
128	TMCL application status	0 - stop 1 - run 2 - step 3 - reset	0...3	R
129	Download mode	0 - normal mode 1 - download mode	0/1	R
130	TMCL program counter	Contains the address of the currently executed TMCL command.		R
132	TMCL tick timer	A 32 bit counter that gets incremented by one every millisecond. It can also be reset to any start value.	0...2147483647	RW
133	Random number	Returns a random number. The seed value can be set by writing to this parameter.	0...2147483647	RW



Number	Global Parameter	Description	Range [Units]	Access
255	Suppress reply	The reply in direct mode will be suppressed when this parameter is set to 1. This parameter cannot be stored to EEPROM and will be reset to 0 on startup. The reply will not be suppressed for GAP, GGP and GIO commands.	0/1	RW

Table 17: All Global Parameters of the TMCM-1021 Module in Bank 0

## 5.2 Bank 1

The global parameter bank 1 is normally not available. It may be used for customer specific extensions of the firmware. Together with user definable commands these variables form the interface between extensions of the firmware (written by Trinamic in C) and TMCL applications.

## 5.3 Bank 2

Bank 2 contains general purpose 32 bit variables for use in TMCL applications. They are located in RAM and the first 56 variables can also be stored permanently in the EEPROM. After booting, their values are automatically restored to the RAM. Up to 256 user variables are available. Please see table 16 for an explanation of the different parameter access types.

User Variables in Bank 2				
Number	Global Parameter	Description	Range [Units]	Access
0...55	user variables #0...#55	TMCL user variables	-2147483648 ... 2147483647	RWE
56...255	user variables #56...#255	TMCL user variables	-2147483648 ... 2147483647	RWE

Table 18: User Variables in Bank 2

## 5.4 Bank 3

Bank 3 contains interrupt parameters. Some interrupts need configuration (e.g. the timer interval of a timer interrupt). This can be done using the SGP commands with parameter bank 3 (SGP <type>, 3, <value>). **The priority of an interrupt depends on its number. Interrupts with a lower number have a higher priority.**

Table 19 shows all interrupt parameters that can be set. Please see table 16 for an explanation of the parameter access types.

Interrupt Parameters in Bank 3				
Number	Global Parameter	Description	Range [Units]	Access
0	Timer 0 period (ms)	Time between two interrupts	0 ... 4294967295 [ms]	RW
1	Timer 1 period (ms)	Time between two interrupts	0 ... 4294967295 [ms]	RW





Number	Global Parameter	Description	Range [Units]	Access
2	Timer 2 period (ms)	Time between two interrupts	0 .. 4294967295 [ms]	RW
27	Stop left 0 trigger transition	0=off, 1=low-high, 2=high-low, 3=both	0 .. 3	RW
28	Stop right 0 trigger transition	0=off, 1=low-high, 2=high-low, 3=both	0 .. 3	RW
39	Input 0 trigger transition	0=off, 1=low-high, 2=high-low, 3=both	0 .. 3	RW
40	Input 1 trigger transition	0=off, 1=low-high, 2=high-low, 3=both	0 .. 3	RW
41	Input 2 trigger transition	0=off, 1=low-high, 2=high-low, 3=both	0 .. 3	RW
42	Input 3 trigger transition	0=off, 1=low-high, 2=high-low, 3=both	0 .. 3	RW

*Table 19: Interrupt Parameters in Bank 3*



## 6 Module Specific Hints

This section contains some hints that are specific to the TMC-1021 module.

### 6.1 Conversion between PPS, RPM and RPS

In order to convert between pps units and units like rounds per second (rps) or rounds per minute (rpm), one has to know the fullstep resolution of the motor (full steps per round) and the microstep resolution setting of the module (axis parameter #140, default setting is 256 microsteps per full step).

So to convert from pps to rps, use the following formula:

$$v_{rps} = \frac{v_{pps}}{r_{fullstep} \cdot r_{microstep}}$$

To convert from rps to rpm, use:

$$v_{rpm} = v_{rps} \cdot 60$$

With the following symbols:

- $v_{rps}$ : velocity in rounds per second
- $v_{rpm}$ : velocity in rounds per minute
- $v_{pps}$ : velocity in pulses (microsteps) per second
- $r_{fullstep}$ : fullstep resolution of the motor (with most motors 200 (1.8°))
- $r_{microstep}$ : microstep setting of the module (default 256)

So, with a 200 fullsteps motor and a microstep setting of 256 (axis parameter #140 = 8), a velocity of 51200pps will result in 1rps (60rpm).

### 6.2 The sensOstep™ Encoder

The TMC-1021 module offers an integrated sensOstep encoder. This built-in encoder has a resolution of 1024 steps per rotation. Please consider the following hints when using the built-in encoder:

- The encoder counter can be read by software and can be used to monitor the current position of the motor.
- To read out or to change the position value of the encoder use axis parameter #209. To read out the position of the internal encoder use GAP 209, 0. The encoder position register can also be changed using command SAP 209, 0, <n>, with n = -2147483648 ... 2147483647.
- Axis parameter #210 is used to change the encoder settings. This also includes the prescaler of the encoder. The prescaler is used to match motor resolution and encoder resolution.
- The motor can be stopped automatically if motor position and encoder position differ too much (deviation error). This can be set using axis parameter #212 (maximum deviation). Setting this parameter to 0 turns off this feature.
- As the built-in encoder is a magnetic encoder, the absolute position value can also be read. Use GAP 215, 0 to read the absolute (single-turn) position value. This always is a value between 0 and 1023 (independent of the prescaler setting).



### 6.2.1 Matching Encoder Resolution and Motor Resolution

When choosing a different microstep resolution than the factory default setting, the encoder prescaler also has to be adapted so that functions using the built-in encoder still work properly. Table 20 shows which prescaler settings are to be used with which microstep resolution settings. The factory default setting is 256 microsteps and prescaler 50.

Internal Encoder Settings			
Microstep		Encoder	
Resolution	SAP command	Prescaler	SAP command
256	SAP 140, 0, 8	50	SAP 210, 0, 25600
128	SAP 140, 0, 7	25	SAP 210, 0, 12800
64	SAP 140, 0, 6	12.5	SAP 210, 0, 6400
32	SAP 140, 0, 5	6.25	SAP 210, 0, 3200
16	SAP 140, 0, 4	3.125	SAP 210, 0, 1600
8	SAP 140, 0, 3	1.5625	SAP 210, 0, 800
4	SAP 140, 0, 2	0.78125	SAP 210, 0, 400
2	SAP 140, 0, 1	0.390625	SAP 210, 0, 200

Table 20: Internal Encoder Settings

Other encoder prescalers than those shown in table 20 can also be used, but are mostly not needed for the internal encoder. The formula for the prescaler setting is  $p = prescaler \cdot 512$  where <p> is the value passed to axis parameter #210. Hence, a setting of SAP 210, 0, 512 would for example result in a prescaler of 1. The lower four bits of the <p> value must not be used for the prescaler setting as they are reserved for activating special encoder functions.

### 6.2.2 Special Encoder Functions

The only special function of the internal sensOstep™ encoder is the clear-on-null function. This will clear the encoder position each time the encoder passes its absolute zero point. This can be useful for finding a reference position. To activate this function, add the value of 4 to the value passed to axis parameter #210.



## 7 Hints and Tips

This chapter gives some hints and tips on using the functionality of TMCL, for example how to use and parameterize the built-in reference search algorithm. You will also find basic information about stallGuard2™ and coolStep™ in this chapter.

### 7.1 Reference Search

The built-in reference search features switching point calibration and support for a home switch and/or one or two end switches. The internal operation is based on a state machine that can be started, stopped and monitored (instruction RFS, opcode 13). The settings of the automatic stop functions corresponding to the end switches (axis parameters 12 and 13) do not influence the reference search.

Notes:

- Until the reference switch is found for the first time, the searching speed set by axis parameter 194 is used.
- After hitting the reference switch, the motor slowly moves until the switch is released. Finally the switch is re-entered in the other direction, setting the reference point to the center of the two switching points. The speed used for this calibration is defined by axis parameter 195.

Axis parameter 193 defines the reference search mode to be used. Choose one of the reference search modes shown in table 21 and in the following subsections:

Reference Search Modes	
Value	Description
1	search left stop switch only
2	search right stop switch, then search left stop switch
3	search right stop switch, then search left stop switch from both sides
4	search left stop switch from both sides
5	search home switch in negative direction, reverse the direction when left stop switch reached
6	search home switch in positive direction, reverse the direction when right stop switch reached
7	search home switch in positive direction, ignore end switches
8	search home switch in negative direction, ignore end switches

Table 21: Reference Search Modes

The drawings in the following subsections show how each reference search mode works. A linear stage with two end points and a moving slider is used as example.



### 7.1.1 Mode 1

Reference search mode 1 only searches the left end switch. Select this mode by setting axis parameter #193 to 1. Figure 3 illustrates this.

Add 64 to the mode number (i.e. set axis parameter #193 to 65) to search the right end switch instead of the left end switch.

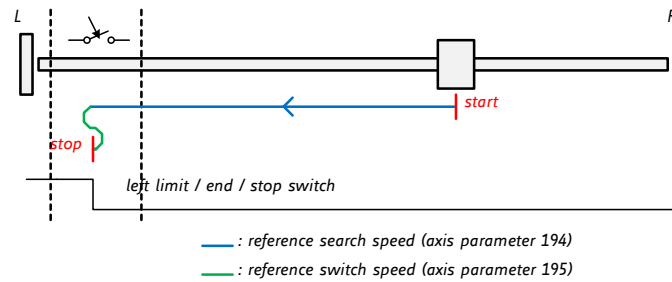


Figure 3: Reference search Mode 1

### 7.1.2 Mode 2

Reference search mode 2 first searches the right end switch and then the left end switch. The left end switch is then used as the zero point. Figure 4 illustrates this. Select this mode by setting axis parameter #193 to 2. After the reference search has finished, axis parameter #196 contains the distance between the two reference switches in microsteps.

Add 64 to the mode number (i.e. set axis parameter #193 to 66) to search the left end switch first and then use the right end switch as the zero point.

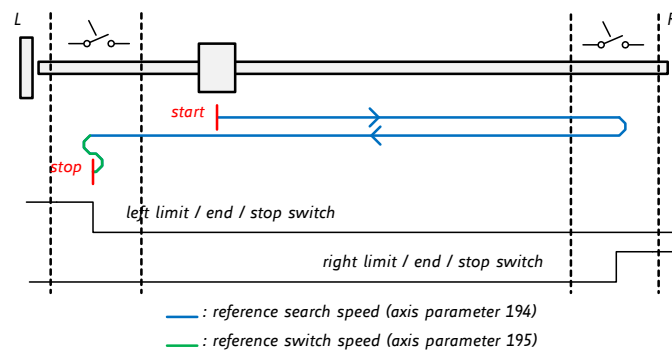


Figure 4: Reference search Mode 2

### 7.1.3 Mode 3

Reference search mode 3 first searches the right end switch and then the left end switch. The left end switch is then searched from both sides, to find the middle of the left end switch. This is then used as the zero point. Figure 5 illustrates this. Select this mode by setting axis parameter #193 to 3. After the reference search has finished, axis parameter #196 contains the distance between the right end switch and the middle of the left end switch in microsteps.

Add 64 to the mode number (i.e. set axis parameter #193 to 67) to search the left end switch first and then use the middle of the right end switch as the zero point.



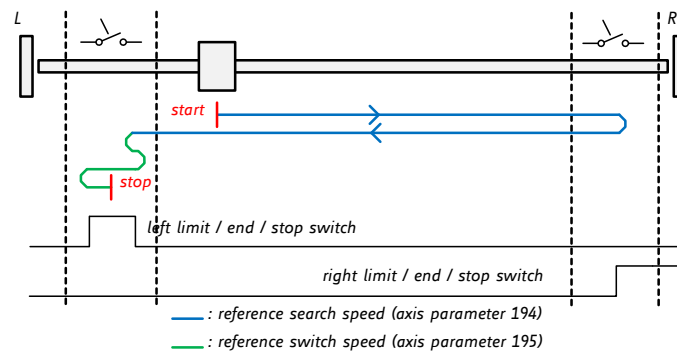


Figure 5: Reference search Mode 3

### 7.1.4 Mode 4

Reference search mode 4 searches the left end switch only, but from both sides so that the middle of the switch will be found and used as the zero point. This is shown in figure 6.

Add 64 to the mode number (i.e. set axis parameter #193 to 68) to search the right end switch instead.

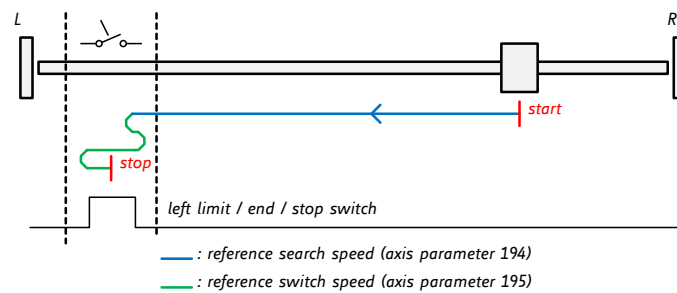


Figure 6: Reference search Mode 4

### 7.1.5 Mode 5

Reference search mode 5 searches the home switch in negative direction. The search direction will be reversed if the left limit switch is reached. This is shown in figure 7.

Add 128 to the mode number (i.e. set axis parameter #193 to 129) to reverse the polarity of the home switch input.



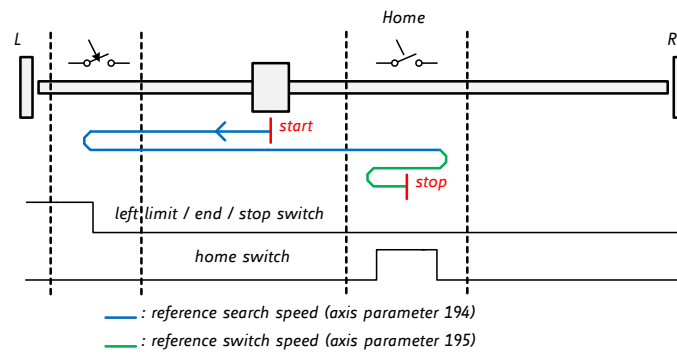


Figure 7: Reference search Mode 5

### 7.1.6 Mode 6

Reference search mode 6 searches the home switch in positive direction. The search direction will be reversed if the right limit switch is reached. This is shown in figure 8.

Add 128 to the mode number (i.e. set axis parameter #193 to 130) to reverse the polarity of the home switch input.

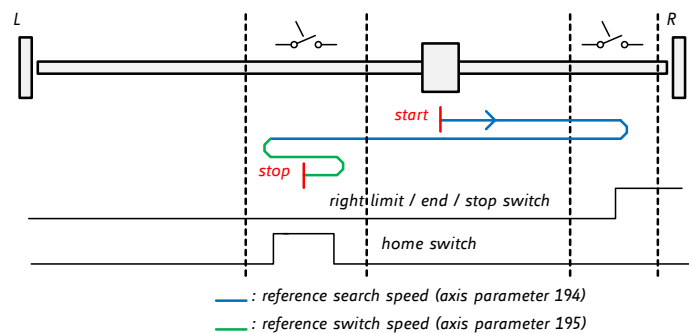


Figure 8: Reference search Mode 6

### 7.1.7 Mode 7

Reference search mode 7 searches the home switch in positive direction, ignoring the limit switch inputs. It is recommended mainly for use with a circular axis. The exact middle of the switch will be found and used as the zero point. Figure 9 illustrates this.

Add 128 to the mode number (i.e. set axis parameter #193 to 131) to reverse the polarity of the home switch input.



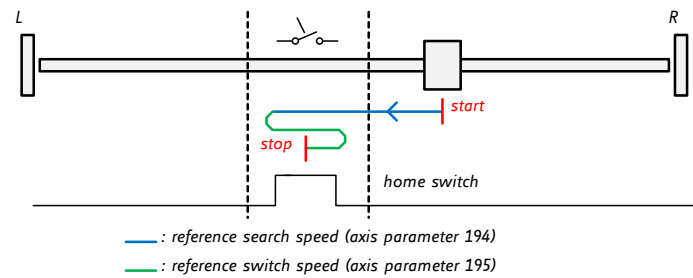


Figure 9: Reference search Mode 7

### 7.1.8 Mode 8

Reference search mode 8 searches the home switch in positive direction, ignoring the limit switch inputs. It is recommended mainly for use with a circular axis. The exact middle of the switch will be found and used as the zero point. Figure 10 illustrates this.

Add 128 to the mode number (i.e. set axis parameter #193 to 132) to reverse the polarity of the home switch input.

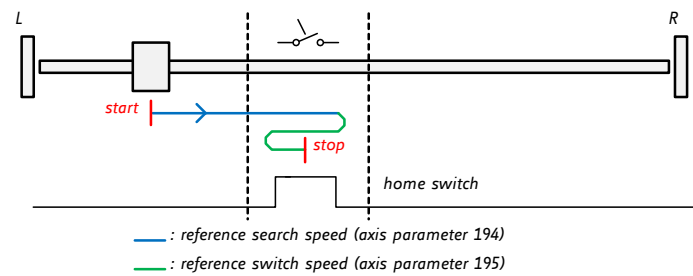


Figure 10: Reference search Mode 8





## 7.2 stallGuard2

The module is equipped with motor driver chips that feature load measurement. This load measurement can be used for stall detection. stallGuard2 delivers a sensorless load measurement of the motor as well as a stall detection signal. The measured value changes linear with the load on the motor in a wide range of load, velocity and current settings. At maximum motor load the stallGuard value goes to zero. This corresponds to a load angle of 90° between the magnetic field of the stator and magnets in the rotor. This also is the most energy efficient point of operation for the motor.

Stall detection means that the motor will be stopped automatically when the load gets too high. This function is configured mainly using axis parameters #174 and #181.

Stall detection can for example be used for finding the reference point without the need for reference switches. A short routine written in TMCL is needed to use stallGuard for reference searching.



### 7.3 coolStep

This section gives an overview of the coolStep related parameters. Please bear in mind that the figure only shows one example for a drive. There are parameters which concern the configuration of the current. Other parameters are there for velocity regulation and for time adjustment.

Figure 11 shows all the adjustment points for coolStep. It is necessary to identify and configure the thresholds for current (I6, I7 and I183) and velocity (V182). Furthermore the stallGuard2 feature has to be adjusted (SG170). It can also be enabled if needed (SG181).

The reduction or increasing of the current in the coolStep area (depending on the load) has to be configured using parameters I169 and I171.

In this chapter only basic axis parameters are mentioned which concern coolStep and stallGuard2. The complete list of axis parameters in chapter 4 contains further parameters which offer more configuration options.

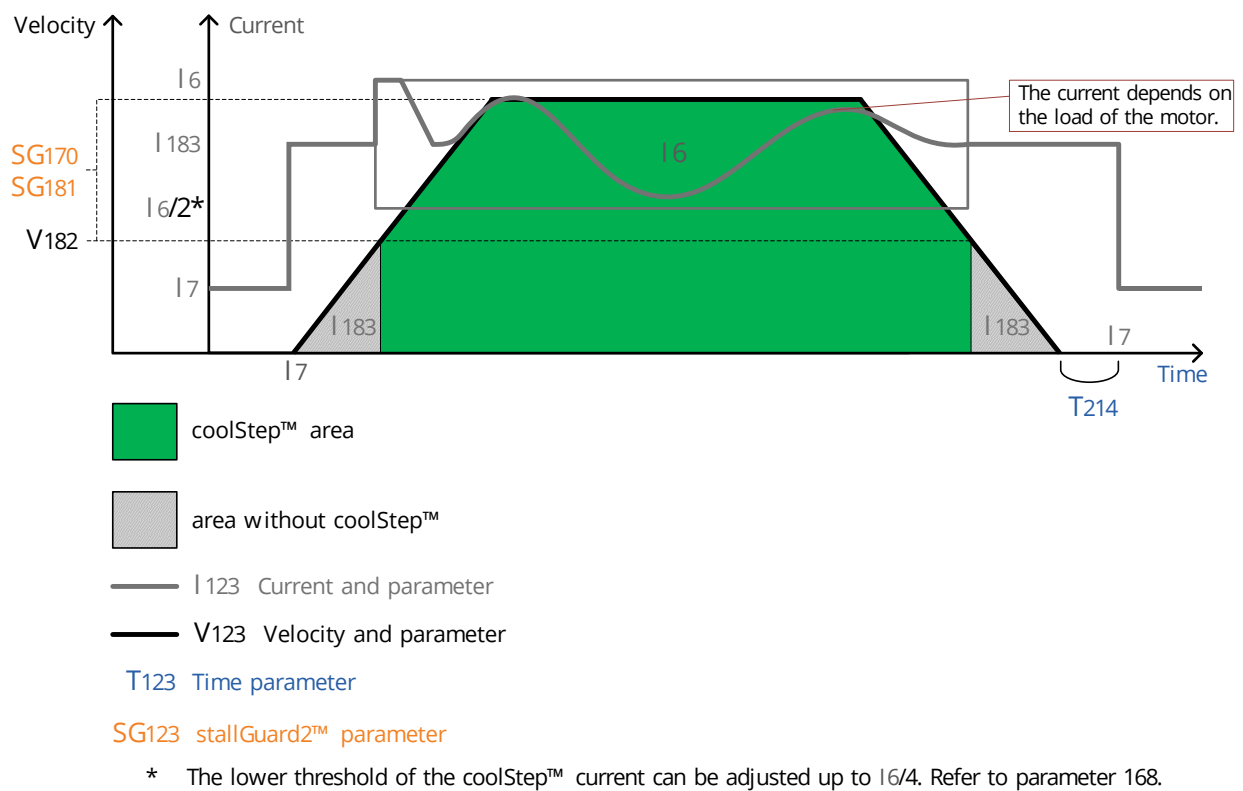


Figure 11: coolStep Adjustment Points and Thresholds



coolStep Adjustment Points and Thresholds		
Number	Axis Parameter	Description
I6	Absolute maximum current	The maximum value is 255. This value means 100% of the maximum current of the module. The current adjustment is within the range 0...255 and can be adjusted in 32 steps (0...255 divided by eight; e.g. step 0 = 0...7, step 1 = 8...15 and so on). Too high values may cause motor damage!
I7	Standby current	The current limit two seconds after the motor has stopped.
I168	smartEnergy current minimum	Sets the lower motor current limit for coolStep operation by scaling the CS (Current Scale, see axis parameter 6) value. Minimum motor current: 0 - 1/2 of CS 1 - 1/4 of CS
I169	smartEnergy current down step	Sets the number of stallGuard2 readings above the upper threshold necessary for each current decrement of the motor current. Number of stallGuard2 measurements per decrement: Scaling: 0...3: 32, 8, 2, 1 0: slow decrement 3: fast decrement
I171	smartEnergy current up step	Sets the current increment step. The current becomes incremented for each measured stallGuard2 value below the lower threshold (see smartEnergy hysteresis start). current increment step size: Scaling: 0...3: 1, 2, 4, 8 0: slow increment 3: fast increment
SG170	smartEnergy hysteresis	Sets the distance between the lower and the upper threshold for stallGuard2 reading. Above the upper threshold the motor current becomes decreased.
SG181	Stop on stall	Below this speed motor will not be stopped. Above this speed motor will stop in case stallGuard2 load value reaches zero.
V182	smartEnergy threshold speed	Above this speed coolStep becomes enabled.
T214	Power down delay	Standstill period before the current is changed down to standby current. The standard value is 200 (which means 2000msec).

Table 22: coolStep Adjustment Points and Thresholds



## 8 TMCL Programming Techniques and Structure

### 8.1 Initialization

The first task in a TMCL program (like in other programs also) is to initialize all parameters where different values than the default values are necessary. For this purpose, SAP and SGP commands are used.

### 8.2 Main Loop

Embedded systems normally use a main loop that runs infinitely. This is also the case in a TMCL application that is running stand alone. Normally the auto start mode of the module should be turned on. After power up, the module then starts the TMCL program, which first does all necessary initializations and then enters the main loop, which does all necessary tasks end never ends (only when the module is powered off or reset).

There are exceptions to this, e.g. when TMCL routines are called from a host in direct mode.

So most (but not all) stand alone TMCL programs look like this:

```

1 //Initialization
2 SAP 4, 0, 50000 //define maximum positioning speed
3 SAP 5, 0, 10000 //define maximum acceleration
4
5 MainLoop:
6 //do something, in this example just running between two positions
7 MVP ABS, 0, 5000
8 WAIT POS, 0, 0
9 MVP ABS, 0, 0
10 WAIT POS, 0, 0
11 JA MainLoop //end of the main loop => run infinitely

```

### 8.3 Using Symbolic Constants

To make your program better readable and understandable, symbolic constants should be taken for all important numerical values that are used in the program. The TMCL-IDE provides an include file with symbolic names for all important axis parameters and global parameters. Please consider the following example:

```

1 //Define some constants
2 #include TMCLParam.tmc
3 MaxSpeed = 50000
4 MaxAcc = 10000
5 Position0 = 0
6 Position1 = 500000
7
8 //Initialization
9 SAP APMaxPositioningSpeed, Motor0, MaxSpeed
10 SAP APMaxAcceleration, Motor0, MaxAcc
11
12 MainLoop:
13 MVP ABS, Motor0, Position1
14 WAIT POS, Motor0, 0
15 MVP ABS, Motor0, Position0

```



```

17  WAIT POS, Motor0, 0
    JA MainLoop

```

Have a look at the file `TMCLParam.tmc` provided with the TMCL-IDE. It contains symbolic constants that define all important parameter numbers.

Using constants for other values makes it easier to change them when they are used more than once in a program. You can change the definition of the constant and do not have to change all occurrences of it in your program.

## 8.4 Using Variables

The user variables can be used if variables are needed in your program. They can store temporary values. The commands SGP, GGP and AGP as well as STGP and RSGP are used to work with user variables:

- SGP is used to set a variable to a constant value (e.g. during initialization phase).
- GGP is used to read the contents of a user variable and to copy it to the accumulator register for further usage.
- AGP can be used to copy the contents of the accumulator register to a user variable, e.g. to store the result of a calculation.
- The STGP command stores the contents of a user variable in the EEPROM.
- The RSGP command copies the value stored in the EEPROM back to the user variable.
- Global parameter 85 controls if user variables will be restored from the EEPROM automatically on startup (default setting) or not (user variables will then be initialized with 0 instead).

Please see the following example:

```

1  MyVariable = 42
   //Use a symbolic name for the user variable
3  //(This makes the program better readable and understandable.)

5  SGP MyVariable, 2, 1234 //Initialize the variable with the value 1234
   ...
7  ...
   GGP MyVariable, 2 //Copy contents of variable to accumulator register
9  CALC MUL, 2 //Multiply accumulator register with two
   AAP MyVariable, 2 //Store contents of accumulator register to variable
11 ...
   ...

```

Furthermore, these variables can provide a powerful way of communication between a TMCL program running on a module and a host. The host can change a variable by issuing a direct mode SGP command (remember that while a TMCL program is running direct mode commands can still be executed, without interfering with the running program). If the TMCL program polls this variable regularly it can react on such changes of its contents.

The host can also poll a variable using GGP in direct mode and see if it has been changed by the TMCL program.



## 8.5 Using Subroutines

The CSUB and RSUB commands provide a mechanism for using subroutines. The CSUB command branches to the given label. When an RSUB command is executed the control goes back to the command that follows the CSUB command that called the subroutine.

This mechanism can also be nested. From a subroutine called by a CSUB command other subroutines can be called. In the current version of TMCL eight levels of nested subroutine calls are allowed.

## 8.6 Combining Direct Mode and Standalone Mode

Direct mode and standalone mode can also be combined. When a TMCL program is being executed in standalone mode, direct mode commands are also processed (and they do not disturb the flow of the program running in standalone mode). So, it is also possible to query e.g. the actual position of the motor in direct mode while a TMCL program is running.

Communication between a program running in standalone mode and a host can be done using the TMCL user variables. The host can then change the value of a user variable (using a direct mode SGP command) which is regularly polled by the TMCL program (e.g. in its main loop) and so the TMCL program can react on such changes. Vice versa, a TMCL program can change a user variable that is polled by the host (using a direct mode GGP command).

A TMCL program can be started by the host using the run command in direct mode. This way, also a set of TMCL routines can be defined that are called by a host. In this case it is recommended to place JA commands at the beginning of the TMCL program that jump to the specific routines. This assures that the entry addresses of the routines will not change even when the TMCL routines are changed (so when changing the TMCL routines the host program does not have to be changed).

Example:

```
//Jump commands to the TMCL routines
2 Func1:  JA Func1Start
  Func2:  JA Func2Start
4 Func3:  JA Func3Start

6 Func1Start:
  MVP ABS, 0, 1000
8  WAIT POS, 0, 0
  MVP ABS, 0, 0
10 WAIT POS, 0, 0
  STOP

12 Func2Start:
14  ROL 0, 500
  WAIT TICKS, 0, 100
16  MST 0
  STOP

18 Func3Start:
20  ROR 0, 1000
  WAIT TICKS, 0, 700
22  MST 0
  STOP
```



This example provides three very simple TMCL routines. They can be called from a host by issuing a run command with address 0 to call the first function, or a run command with address 1 to call the second function, or a run command with address 2 to call the third function. You can see the addresses of the TMCL labels (that are needed for the run commands) by using the "Generate symbol file function" of the TMCL-IDE.

## 8.7 Make the TMCL Program start automatically

For stand-alone operation the module has to start the TMCL program in its memory automatically after power-on. In order to achieve this, switch on the Autostart option of the module. This is controlled by global parameter #77. There are different ways to switch on the Autostart option:

- Execute the command SGP 77, 0, 1 in direct mode (using the Direct Mode tool in the TMCL-IDE).
- Use the Global Parameters tool in the TMCL-IDE to set global parameter #77 to 1.
- Use the Autostart entry in the TMCL menu of the TMCL Creator in the TMCL-IDE. Go to the Autostart entry in the TMCL menu and select "On".



## 9 Figures Index

1	stallGuard2 Load Measurement as a Function of Load . . . . .	6	7	Reference search Mode 5 . . . . .	95
2	Energy Efficiency Example with coolStep . . . . .	6	8	Reference search Mode 6 . . . . .	95
3	Reference search Mode 1 . . . . .	93	9	Reference search Mode 7 . . . . .	96
4	Reference search Mode 2 . . . . .	93	10	Reference search Mode 8 . . . . .	96
5	Reference search Mode 3 . . . . .	94	11	coolStep Adjustment Points and Thresholds . . . . .	98
6	Reference search Mode 4 . . . . .	94			





## 10 Tables Index

1	Most important Axis Parameters . . . . .	8	15	All Axis Parameters of the TMCM-1021 Module . . . . .	84
2	TMCL Command Format . . . . .	11	16	Meaning of the Letters in the Access Column . . . . .	85
3	TMCL Reply Format . . . . .	12	17	All Global Parameters of the TMCM-1021 Module in Bank 0 . . . . .	88
4	TMCL Status Codes . . . . .	12	18	User Variables in Bank 2 . . . . .	88
5	Overview of all TMCL Commands . . . . .	17	19	Interrupt Parameters in Bank 3 . . . . .	89
6	Motion Commands . . . . .	18	20	Internal Encoder Settings . . . . .	91
7	Parameter Commands . . . . .	18	21	Reference Search Modes . . . . .	92
8	Branch Commands . . . . .	19	22	coolStep Adjustment Points and Thresholds . . . . .	99
9	I/O Port Commands . . . . .	19	23	Firmware Revision . . . . .	108
10	Calculation Commands . . . . .	19	24	Document Revision . . . . .	109
11	Interrupt Processing Commands . . . . .	20			
12	Interrupt Vectors . . . . .	21			
13	TMCL Control Commands . . . . .	75			
14	Meaning of the Letters in the Access Column . . . . .	76			



## 11 Supplemental Directives

### 11.1 Producer Information

### 11.2 Copyright

TRINAMIC owns the content of this user manual in its entirety, including but not limited to pictures, logos, trademarks, and resources. © Copyright 2018 TRINAMIC. All rights reserved. Electronically published by TRINAMIC, Germany.

Redistributions of source or derived format (for example, Portable Document Format or Hypertext Markup Language) must retain the above copyright notice, and the complete Datasheet User Manual documentation of this product including associated Application Notes; and a reference to other available product-related documentation.

### 11.3 Trademark Designations and Symbols

Trademark designations and symbols used in this documentation indicate that a product or feature is owned and registered as trademark and/or patent either by TRINAMIC or by other manufacturers, whose products are used or referred to in combination with TRINAMIC's products and TRINAMIC's product documentation.

This TMCL™ Firmware Manual is a non-commercial publication that seeks to provide concise scientific and technical user information to the target user. Thus, trademark designations and symbols are only entered in the Short Spec of this document that introduces the product at a quick glance. The trademark designation /symbol is also entered when the product or feature name occurs for the first time in the document. All trademarks and brand names used are property of their respective owners.

### 11.4 Target User

The documentation provided here, is for programmers and engineers only, who are equipped with the necessary skills and have been trained to work with this type of product.

The Target User knows how to responsibly make use of this product without causing harm to himself or others, and without causing damage to systems or devices, in which the user incorporates the product.

### 11.5 Disclaimer: Life Support Systems

TRINAMIC Motion Control GmbH & Co. KG does not authorize or warrant any of its products for use in life support systems, without the specific written consent of TRINAMIC Motion Control GmbH & Co. KG.

Life support systems are equipment intended to support or sustain life, and whose failure to perform, when properly used in accordance with instructions provided, can be reasonably expected to result in personal injury or death.

Information given in this document is believed to be accurate and reliable. However, no responsibility is assumed for the consequences of its use nor for any infringement of patents or other rights of third parties which may result from its use. Specifications are subject to change without notice.

### 11.6 Disclaimer: Intended Use

The data specified in this user manual is intended solely for the purpose of product description. No representations or warranties, either express or implied, of merchantability, fitness for a particular purpose



or of any other nature are made hereunder with respect to information/specification or the products to which information refers and no guarantee with respect to compliance to the intended use is given.

In particular, this also applies to the stated possible applications or areas of applications of the product. TRINAMIC products are not designed for and must not be used in connection with any applications where the failure of such products would reasonably be expected to result in significant personal injury or death (safety-Critical Applications) without TRINAMIC's specific written consent.

TRINAMIC products are not designed nor intended for use in military or aerospace applications or environments or in automotive applications unless specifically designated for such use by TRINAMIC. TRINAMIC conveys no patent, copyright, mask work right or other trade mark right to this product. TRINAMIC assumes no liability for any patent and/or other trade mark rights of a third party resulting from processing or handling of the product and/or any other use of the product.

## 11.7 Collateral Documents & Tools

This product documentation is related and/or associated with additional tool kits, firmware and other items, as provided on the product page at: [www.trinamic.com](http://www.trinamic.com).



## 12 Revision History

### 12.1 Firmware Revision

Version	Date	Author	Description
V1.18	2012-MAY-06	OK	Release
V1.19	2012-JUL-25	OK	Global parameter #79 added
V1.20	2012-OKT-04	OK	Global parameter #87 (secondary address for RS232/RS485) added. Reference search: the last position before setting the counter to zero can be read out with axis parameter 197.
V1.21	2012-NOV-16	OK	Fixed issue: Parameter #130 set to a value $\geq 1$ could lead to oscillations. Take over parameter #140 correctly from the EEPROM.
V1.22	2013-JAN-21	OK	Maximum read number of encoder increased. Additional functions of axis parameter 193: reverse home switch polarity, use right switch instead of left switch.
V1.23	2013-FEB-05	OK	Reference search modese 7 and 8 corrected: end switches are always deactivated.
V1.24	2013-FEB-20	OK	Issue with start/stop velocity fixed.
V1.25	2013-AUG-30	OK	No changes related to the TMCM/PD-1021.
V1.26	2013-AUG-30	OK	Clock frequency raised to 16MHz.
V1.27	2013-AUG-30	OK	Problem with magnetic encoder fixed.
V1.28	2013-SEP-27	OK	No changes related to the TMCM/PD-1021.
V1.29	2014-JAN-20	OK	First version for new hardware (V1.4).
V1.30...V1.33	2014-OCT-10	OK	Not deployed.
V1.34	2014-OCT-10	OK	Mircostep setting correctly taken over from EEPROM.
V1.35	2015-APR-08	OK	Slow run current (axis parameter #182) is working correctly now. RFS STATUS command also copies its result to the accumulator register and sets the flags (when used in a TMCL program). Problem in TMCL interrupt handling that could lead to race conditions fixed. Version information of the boot loader can be read (if the boot loader supports this).
V1.36...V1.37	2015-OKT-22	OK	Not deployed.
V1.38	2016-MAY-24	OK	Direction of rotation (of motor and encoder) can be reversed using global parameter #90. Reference search works more accurate.
V1.39...V1.41	2016-NOV-28	OK	Not deployed.
V1.42	2017-FEB-14	OK	No changes related to the TMCM/PD-1021.

Table 23: Firmware Revision



## 12.2 Document Revision

Version	Date	Author	Description
V1.08	2017-MAR-21	OK	Document completely revised.
V1.07	2017-SEP-21	OK	Axis parameter #3 corrected.
V1.10	2018-JAN-09	OK	Typo in description of axis parameter #204 corrected.

*Table 24: Document Revision*

